

FINAL VERSION

VERSION FINALE

Degrees of protection provided by enclosures (IP Code)

Degrés de protection procurés par les enveloppes (Code IP)



CONTENTS

FOREWORD.....	5
INTRODUCTION.....	7
INTRODUCTION TO AMENDMENT 2	8
1 Scope and object.....	9
2 Normative references	10
3 Definitions	10
4 Designations	12
4.1 Arrangement of the IP Code	12
4.2 Elements of the IP Code and their meanings	12
4.3 Examples for the use of letters in the IP Code.....	13
5 Degrees of protection against access to hazardous parts and against solid foreign objects indicated by the first characteristic numeral.....	14
5.1 Protection against access to hazardous parts.....	14
5.2 Protection against solid foreign objects	15
6 Degrees of protection against ingress of water indicated by the second characteristic numeral	16
7 Degrees of protection against access to hazardous parts indicated by the additional letter	18
8 Supplementary letters.....	19
9 Examples of designations with the IP Code	20
9.1 IP Code not using optional letters:.....	20
9.2 IP Code using optional letters:.....	20
10 Marking	21
11 General requirements for tests	21
11.1 Atmospheric conditions for water or dust tests.....	21
11.2 Test samples.....	21
11.3 Application of test requirements and interpretation of test results	22
11.4 Combination of test conditions for the first characteristic numeral.....	22
11.5 Empty enclosures.....	22
12 Tests for protection against access to hazardous parts indicated by the first characteristic numeral	22
12.1 Access probes.....	22
12.2 Test conditions.....	23
12.3 Acceptance conditions.....	24
12.3.1 For low-voltage equipment (rated voltages not exceeding 1 000 V a.c. and 1 500 V d.c.)	24
12.3.2 For high-voltage equipment (rated voltages exceeding 1 000 V a.c. and 1 500 V d.c.)	24
12.3.3 For equipment with hazardous mechanical parts.....	25
13 Tests for protection against solid foreign objects indicated by the first characteristic numeral	25
13.1 Test means	25
13.2 Test conditions for first characteristic numerals 1, 2, 3, 4	25

13.3	Acceptance conditions for first characteristic numerals 1, 2, 3, 4	25
13.4	Dust test for first characteristic numerals 5 and 6	25
13.5	Special conditions for first characteristic numeral 5	27
13.5.1	Test conditions for first characteristic numeral 5	27
13.5.2	Acceptance conditions for first characteristic numeral 5	27
13.6	Special conditions for first characteristic numeral 6	27
13.6.1	Test conditions for first characteristic numeral 6	27
13.6.2	Acceptance conditions for first characteristic numeral 6	27
14	Tests for protection against water indicated by the second characteristic numeral	27
14.1	Test means	27
14.2	Test conditions	28
14.2.1	Test for second characteristic numeral 1 with the drip box	29
14.2.2	Test for second characteristic numeral 2 with the drip box	29
14.2.3	Test for second characteristic numeral 3 with oscillating tube or spray nozzle	30
14.2.4	Test for second characteristic numeral 4 with oscillating tube or spray nozzle	30
14.2.5	Test for second characteristic numeral 5 with the 6,3 mm nozzle	31
14.2.6	Test for second characteristic numeral 6 with the 12,5 mm nozzle	31
14.2.7	Test for second characteristic numeral 7: temporary immersion between 0,15 m and 1 m	31
14.2.8	Test for second characteristic numeral 8: continuous immersion subject to agreement	32
14.2.9	Test for second characteristic numeral 9 with a spray nozzle	32
14.3	Acceptance conditions	32
15	Tests for protection against access to hazardous parts indicated by the additional letter	33
15.1	Access probes	33
15.2	Test conditions	33
15.3	Acceptance conditions	33
	Annex A (informative) Examples of IP coding for the verification of protection of low-voltage equipment against access to hazardous parts	43
	Annex B (informative) Summary of responsibilities of relevant technical committees	49
	Bibliography	51
	Figure 1 – Jointed test finger	34
	Figure 2 – Test device to verify protection against dust (dust chamber)	35
	Figure 3 – Test device to verify protection against vertically falling water drops (drip box)	36
	Figure 4 – Test device to verify protection against spraying and splashing water; second characteristic numerals 3 and 4 (oscillating tube)	37
	Figure 5 – Hand-held device to verify protection against spraying and splashing water; second characteristic numerals 3 and 4 (spray nozzle)	38
	Figure 6 – Test device to verify protection against water jets (hose nozzle)	38
	Figure 7 – Fan jet nozzle dimensions	39

Figure 8 – Fan jet nozzle resulting dimensions of spraying hole for checking purpose	39
Figure 9 – Fan jet nozzle examples.....	40
Figure 10 – Set-up for measuring the impact force of the water jet for determining the protection against high-pressure and temperature water jet, degree of protection against ingress of water IP X9.....	41
Figure 11 – Impact force distribution	41
Figure 12 – Test device to verify protection against high pressure and temperature water jet for small enclosures	42
Table 1 – Degrees of protection against access to hazardous parts indicated by the first characteristic numeral.....	15
Table 2 – Degrees of protection against solid foreign objects indicated by the first characteristic numeral.....	16
Table 3 – Degrees of protection against water indicated by the second characteristic numeral.....	18
Table 4 – Degrees of protection against access to hazardous parts indicated by the additional letter	19
Table 5 – Test conditions for degrees of protection indicated by the first characteristic numeral.....	22
Table 6 – Access probes for the tests for protection of persons against access to hazardous parts.....	23
Table 7 – Test means for the tests for protection against solid foreign objects	25
Table 8 – Test means and main test conditions for the tests for protection against water	28
Table 9 – Total water flow rate q_v under IPX3 and IPX4 test conditions – Mean flow rate per hole $q_{vI} = 0,07$ l/min.....	31
IP Codes of examples in annex A	48

INTERNATIONAL ELECTROTECHNICAL COMMISSION

DEGREES OF PROTECTION PROVIDED BY ENCLOSURES (IP Code)

FOREWORD

- 1) The International Electrotechnical Commission (IEC) is a worldwide organization for standardization comprising all national electrotechnical committees (IEC National Committees). The object of IEC is to promote international co-operation on all questions concerning standardization in the electrical and electronic fields. To this end and in addition to other activities, IEC publishes International Standards, Technical Specifications, Technical Reports, Publicly Available Specifications (PAS) and Guides (hereafter referred to as "IEC Publication(s)"). Their preparation is entrusted to technical committees; any IEC National Committee interested in the subject dealt with may participate in this preparatory work. International, governmental and non-governmental organizations liaising with the IEC also participate in this preparation. IEC collaborates closely with the International Organization for Standardization (ISO) in accordance with conditions determined by agreement between the two organizations.
- 2) The formal decisions or agreements of IEC on technical matters express, as nearly as possible, an international consensus of opinion on the relevant subjects since each technical committee has representation from all interested IEC National Committees.
- 3) IEC Publications have the form of recommendations for international use and are accepted by IEC National Committees in that sense. While all reasonable efforts are made to ensure that the technical content of IEC Publications is accurate, IEC cannot be held responsible for the way in which they are used or for any misinterpretation by any end user.
- 4) In order to promote international uniformity, IEC National Committees undertake to apply IEC Publications transparently to the maximum extent possible in their national and regional publications. Any divergence between any IEC Publication and the corresponding national or regional publication shall be clearly indicated in the latter.
- 5) IEC itself does not provide any attestation of conformity. Independent certification bodies provide conformity assessment services and, in some areas, access to IEC marks of conformity. IEC is not responsible for any services carried out by independent certification bodies.
- 6) All users should ensure that they have the latest edition of this publication.
- 7) No liability shall attach to IEC or its directors, employees, servants or agents including individual experts and members of its technical committees and IEC National Committees for any personal injury, property damage or other damage of any nature whatsoever, whether direct or indirect, or for costs (including legal fees) and expenses arising out of the publication, use of, or reliance upon, this IEC Publication or any other IEC Publications.
- 8) Attention is drawn to the Normative references cited in this publication. Use of the referenced publications is indispensable for the correct application of this publication.
- 9) Attention is drawn to the possibility that some of the elements of this IEC Publication may be the subject of patent rights. IEC shall not be held responsible for identifying any or all such patent rights.

This Consolidated version of IEC 60529 bears the edition number 2.2. It consists of the second edition (1989) [documents 70(CO)13 + 70(CO)15 and 70(CO)16 + 70(CO)17], its corrigendum 1 (2003), its corrigendum 2 (2007), its corrigendum 3 (2009), its amendment 1 (1999) [documents 70/91/FDIS and 70/92/RVD] and its amendment 2 [documents 70/122/FDIS and 70/123/RVD]. The technical content is identical to the base edition and its amendments.

This Final version does not show where the technical content is modified by amendments 1 and 2. A separate Redline version with all changes highlighted is available in this publication.

This publication has been prepared for user convenience.

International Standard IEC 60529 has been prepared by technical committee 70: Degrees of protection by enclosures.

Annexes A and B are for information only.

This publication has been drafted in accordance with the ISO/IEC Directives, Part 2.

The committee has decided that the contents of the base publication and its amendments will remain unchanged until the stability date indicated on the IEC web site under "<http://webstore.iec.ch>" in the data related to the specific publication. At this date, the publication will be

- reconfirmed,
- withdrawn,
- replaced by a revised edition, or
- amended.

IMPORTANT – The “colour inside” logo on the cover page of this publication indicates that it contains colours which are considered to be useful for the correct understanding of its contents. Users should therefore print this publication using a colour printer.

INTRODUCTION

This standard describes a system for classifying the degrees of protection provided by the enclosures of electrical equipment. Whilst this system is suitable for use with most types of electrical equipment, it should not be assumed that all the listed degrees of protection are applicable to a particular type of equipment. The manufacturer of the equipment should be consulted to determine the degrees of protection available and the parts of equipment to which the stated degree of protection applies.

The adoption of this classification system, wherever possible, will promote uniformity in methods of describing the protection provided by the enclosure and in the tests to prove the various degrees of protection. It should also reduce the number of types of test devices necessary to test a wide range of products.

This second edition of IEC 60529 takes account of experiences with the first edition, and clarifies the requirements. It provides for an optional extension of the IP Code by an additional letter A, B, C, or D if the actual protection of persons against access to hazardous parts is higher than that indicated by the first characteristic numeral.

In general, enclosures with an IP coding to the first edition would be eligible for the same code according to this edition.

INTRODUCTION TO AMENDMENT 2

This Amendment 2 introduces a new degree of protection IP X9 whereas no modifications of the existing degrees of protection are made.

Thus neither additional tests nor modifications of the existing certificates should be requested in case of enclosures providing a different IP code.

DEGREES OF PROTECTION PROVIDED BY ENCLOSURES (IP Code)

1 Scope and object

This standard applies to the classification of degrees of protection provided by enclosures for electrical equipment with a rated voltage not exceeding 72,5 kV.

The object of this standard is to give:

- a) *Definitions* for degrees of protection provided by enclosures of electrical equipment as regards:
 - 1) protection of persons against access to hazardous parts inside the enclosure;
 - 2) protection of the equipment inside the enclosure against ingress of solid foreign objects;
 - 3) protection of the equipment inside the enclosure against harmful effects due to the ingress of water.
- b) *Designations* for these degrees of protection.
- c) *Requirements* for each designation.
- d) *Tests* to be performed to verify that the enclosure meets the requirements of this standard.

It will remain the responsibility of individual technical committees to decide on the extent and manner in which, the classification is used in their standards and to define “enclosure” as it applies to their equipment. However, it is recommended that for a given classification the tests do not differ from those specified in this standard. If necessary, complementary requirements may be included in the relevant product standard. A guide for the details to be specified in relevant product standards is given in annex B.

For a particular type of equipment, a technical committee may specify different requirements provided that at least the same level of safety is ensured.

This standard deals only with enclosures that are in all other respects suitable for their intended use as specified in the relevant product standard and which from the point of view of materials and workmanship ensure that the claimed degrees of protection are maintained under the normal conditions of use.

This standard is also applicable to empty enclosures provided that the general test requirements are met and that the selected degree of protection is suitable for the type of equipment to be protected.

Measures to protect both the enclosure and the equipment inside the enclosure against external influences or conditions such as

- mechanical impacts
- corrosion
- corrosive solvents (for example, cutting liquids)
- fungus
- vermin
- solar radiation
- icing
- moisture (for example, produced by condensation)
- explosive atmospheres

and the protection against contact with hazardous moving parts external to the enclosure (such as fans), are matters for the relevant product standard to be protected.

Barriers external to the enclosure and not attached to it and obstacles which have been provided solely for the safety of personnel are not considered as a part of the enclosure and are not dealt with in this standard.

2 Normative references

The following referenced documents are indispensable for the application of this document. For dated references, only the edition cited applies. For undated references, the latest edition of the referenced document (including any amendments) applies.

IEC 60050-195:1998, *International Electrotechnical Vocabulary (IEV) – Part 195: Earthing and protection against electric shock*

IEC 60050(826):1982, *International Electrotechnical Vocabulary (IEV) – Chapter 826: Electrical installations of buildings*

IEC 60068-1:1988, *Environmental testing – Part 1: General and guidance*

IEC 60068-2-68:1994, *Environmental testing – Part 2: Tests – Test L: Dust and sand*

IEC 60071-2:1996, *Insulation co-ordination – Part 2: Application guide*

3 Definitions

For the purpose of this standard, the following definitions apply:

3.1

enclosure

a part providing protection of equipment against certain external influences and, in any direction, protection against direct contact [IEV 826-03-12]*.

NOTE This definition taken from the existing International Electrotechnical Vocabulary (IEV) needs the following explanations under the scope of this standard:

- 1) Enclosures provide protection of persons or livestock against access to hazardous parts.
- 2) Barriers, shapes of openings or any other means – whether attached to the enclosure or formed by the enclosed equipment – suitable to prevent or limit the penetration of the specified test probes are considered as a part of the enclosure, except when they can be removed without the use of a key or tool.

3.2

direct contact

contact of persons or livestock with live parts [IEV 826-03-05]

NOTE This IEC definition is given for information. In this standard “direct contact” is replaced by “access to hazardous parts”.

3.3

degree of protection

the extent of protection provided by an enclosure against access to hazardous parts, against ingress of solid foreign objects and/or against ingress of water and verified by standardized test methods

3.4

IP Code

a coding system to indicate the degrees of protection provided by an enclosure against access to hazardous parts, ingress of solid foreign objects, ingress of water and to give additional information in connection with such protection

* IEC 60050(826).

3.5

hazardous part

a part that is hazardous to approach or touch

3.5.1

hazardous live part

a live part which, under certain conditions of external influences, can give an electric shock (see IEC 60050-195, 195-06-05)

3.5.2

hazardous mechanical part

a moving part, other than a smooth rotating shaft, that is hazardous to touch

3.6

protection provided by an enclosure against access to hazardous parts

the protection of persons against

- contact with hazardous low-voltage live parts
- contact with hazardous mechanical parts
- approach to hazardous high-voltage live parts below adequate clearance inside an enclosure

NOTE This protection may be provided

- by means of the enclosure itself,
- by means of barriers as part of the enclosure or distances inside the enclosure.

3.7

adequate clearance for protection against access to hazardous parts

a distance to prevent contact or approach of an access probe to a hazardous part

3.8

access probe

a test probe simulating in a conventional manner a part of a person or a tool, or the like, held by a person to verify adequate clearance from hazardous parts

3.9

object probe

a test probe simulating a solid foreign object to verify the possibility of ingress into an enclosure

3.10

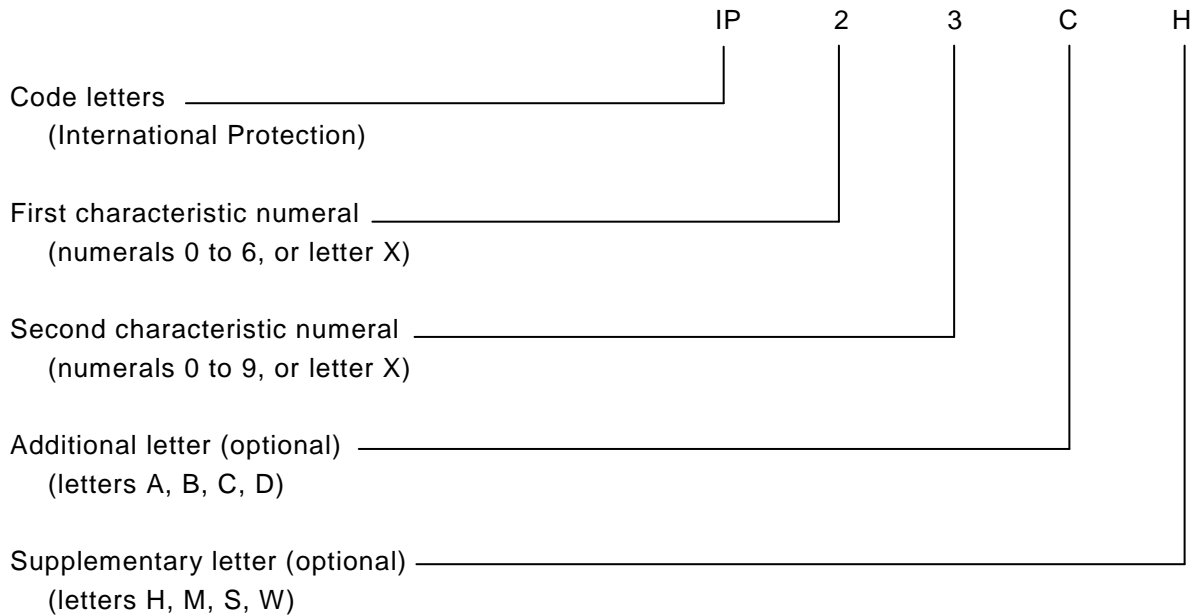
opening

a gap or aperture in an enclosure which exists or may be formed by the application of a test probe at the specified force

4 Designations

The degree of protection provided by an enclosure is indicated by the IP Code in the following way:

4.1 Arrangement of the IP Code



Where a characteristic numeral is not required to be specified, it shall be replaced by the letter "X" ("XX" if both numerals are omitted).

Additional letters and/or supplementary letters may be omitted without replacement.

Where more than one supplementary letter is used, the alphabetic sequence shall apply.

If an enclosure provides different degrees of protection for different intended mounting arrangements, the relevant degrees of protection shall be indicated by the manufacturer in the instructions related to the respective mounting arrangements.

Details for the marking of an enclosure are given in clause 10.

4.2 Elements of the IP Code and their meanings

A brief description of the IP Code elements is given in the following chart. Full details are specified in the clauses indicated in the last column.

Element	Numerals or letters	Meaning for the protection of <i>equipment</i>	Meaning for the protection of <i>persons</i>	Ref.
Code letters	IP	–	–	–
First characteristic numeral	0 1 2 3 4 5 6	Against ingress of solid foreign objects (non-protected) ≥ 50 mm diameter ≥ 12,5 mm diameter ≥ 2,5 mm diameter ≥ 1,0 mm diameter dust-protected dust-tight	Against access to hazardous parts with (non-protected) back of hand finger tool wire wire wire	Cl. 5
Second characteristic numeral	0 1 2 3 4 5 6 7 8 9	Against ingress of water with harmful effects (non-protected) vertically dripping dripping (15° tilted) spraying splashing jetting powerful jetting temporary immersion continuous immersion High pressure and temperature water jet	–	Cl. 6
Additional letter (optional)	A B C D	–	Against access to hazardous parts with: back of hand finger tool wire	Cl. 7
Supplementary letter (optional)	H M S W	Supplementary information specific to: High voltage apparatus Motion during water test Stationary during water test Weather conditions	–	Cl. 8

4.3 Examples for the use of letters in the IP Code

The following examples are to explain the use and arrangement of letters in the IP Code.

For more comprehensive examples see clause 9.

- IP44 – no letters, no options;
- IPX5 – omitting first characteristic numeral;
- IP2X – omitting second characteristic numeral;
- IP20C – using additional letter;
- IPXXC – omitting both characteristic numerals, using additional letter;
- IPX1C – omitting first characteristic numeral, using additional letter;
- IP3XD – omitting second characteristic numeral, using additional letter;
- IP23S – using supplementary letter;
- IP21CM – using additional letter and supplementary letter;

IPX5/IPX7/IPX9 – giving three degrees of protection by an enclosure against water jets, temporary immersion and high pressure and temperature water jet for “versatile” application.

5 Degrees of protection against access to hazardous parts and against solid foreign objects indicated by the first characteristic numeral

The designation with a first characteristic numeral implies that conditions stated in both 5.1 and 5.2 are met.

The first characteristic numeral indicates that:

- the enclosure provides protection of persons against access to hazardous parts by preventing or limiting the ingress of a part of the human body or an object held by a person;

and simultaneously

- the enclosure provides protection of equipment against the ingress of solid foreign objects.

An enclosure shall only be designated with a stated degree of protection indicated by the first characteristic numeral if it also complies with all lower degrees of protection.

However, the tests establishing compliance with any one of the lower degrees of protection need not necessarily be carried out provided that these tests would obviously be met if applied.

5.1 Protection against access to hazardous parts

Table 1 gives brief descriptions and definitions for the degrees of protection against access to hazardous parts.

Degrees of protection listed in this table shall be specified only by the first characteristic numeral and not by reference to the brief description or definition.

To comply with the conditions of the first characteristic numeral, adequate clearance shall be kept between the access probe and hazardous parts.

The tests are specified in clause 12.

Table 1 – Degrees of protection against access to hazardous parts indicated by the first characteristic numeral

First characteristic numeral	Degree of protection		Test conditions, see
	Brief description	Definition	
0	Non-protected	–	–
1	Protected against access to hazardous parts with the back of a hand	The access probe, sphere of 50 mm Ø, shall have adequate clearance from hazardous parts	12.2
2	Protected against access to hazardous parts with a finger	The jointed test finger of 12 mm Ø, 80 mm length, shall have adequate clearance from hazardous parts	12.2
3	Protected against access to hazardous parts with a tool	The access probe of 2,5 mm Ø shall not penetrate	12.2
4	Protected against access to hazardous parts with a wire	The access probe of 1,0 mm Ø shall not penetrate	12.2
5	Protected against access to hazardous parts with a wire	The access probe of 1,0 mm Ø shall not penetrate	12.2
6	Protected against access to hazardous parts with a wire	The access probe of 1,0 mm Ø shall not penetrate	12.2
<p>NOTE In the case of the first characteristic numerals 3, 4, 5 and 6, protection against access to hazardous parts is satisfied if adequate clearance is kept. The adequate clearance should be specified by the relevant product committee in accordance with 12.3.</p> <p>Due to the simultaneous requirement specified in table 2, the definition "shall not penetrate" is given in table 1.</p>			

5.2 Protection against solid foreign objects

Table 2 gives brief descriptions and the definitions for the degrees of protection against the penetration of solid foreign objects including dust.

Degrees of protection listed in this table shall only be specified by the first characteristic numeral and not by reference to the brief description or definition.

The protection against the ingress of solid foreign objects implies that the object probes up to numeral 2 in table 2 shall not fully penetrate the enclosure. This means that the full diameter of the sphere shall not pass through an opening in the enclosure. Object probes for numerals 3 and 4 shall not penetrate the enclosure at all.

Dust-protected enclosures to numeral 5 allow a limited quantity of dust to penetrate under certain conditions.

Dust-tight enclosures to numeral 6 do not allow any dust to penetrate.

NOTE Enclosures assigned a first characteristic numeral of 1 to 4 generally exclude both regularly and irregularly shaped solid foreign objects provided that three mutually perpendicular dimensions of the object exceed the appropriate figure in column 3 of table 2.

The tests are specified in clause 13.

Table 2 – Degrees of protection against solid foreign objects indicated by the first characteristic numeral

First characteristic numeral	Degree of protection		Test conditions, see
	Brief description	Definition	
0	Non-protected	–	–
1	Protected against solid foreign objects of 50 mm Ø and greater	The object probe, sphere of 50 mm Ø, shall not fully penetrate ¹⁾	13.2
2	Protected against solid foreign objects of 12,5 mm Ø and greater	The object probe, sphere of 12,5 mm Ø, shall not fully penetrate ¹⁾	13.2
3	Protected against solid foreign objects of 2,5 mm Ø and greater	The object probe, sphere of 2,5 mm Ø, shall not penetrate at all ¹⁾	13.2
4	Protected against solid foreign objects of 1,0 mm Ø and greater	The object probe of 1,0 mm Ø, shall not penetrate at all ¹⁾	13.2
5	Dust-protected	Ingress of dust is not totally prevented, but dust shall not penetrate in a quantity to interfere with satisfactory operation of the apparatus or to impair safety	13.4 13.5
6	Dust-tight	No ingress of dust	13.4 13.6
¹⁾ The full diameter of the object probe shall not pass through an opening of the enclosure.			

6 Degrees of protection against ingress of water indicated by the second characteristic numeral

The second characteristic numeral indicates the degree of protection provided by enclosures with respect to harmful effects on the equipment due to the ingress of water.

The tests for the second characteristic numeral are carried out with fresh water. The actual protection may not be satisfactory if cleaning operations with high pressure and temperature water jet outside the requirements of second characteristic numeral 9 and/or solvents are used.

Table 3 gives brief descriptions and definitions of the protection for the degrees represented by the second characteristic numeral.

Degrees of protection listed in this table shall be specified only by the second characteristic numeral and not by reference to the brief description or definition.

The tests are specified in clause 14.

Up to and including second characteristic numeral 6, the designation implies compliance also with the requirements for all lower characteristic numerals. However, the tests establishing compliance with any one of the lower degrees of protection need not necessarily be carried out provided that these tests obviously would be met if applied.

An enclosure designated with second characteristic numeral 9 only is considered unsuitable for exposure to water jets (designated by second characteristic numeral 5 or 6) and immersion in water (designated by second characteristic numeral 7 or 8) and need not comply with requirements for numeral 5,6,7 or 8 unless it is multiple coded as follows:

Enclosure passes test for:		Designation and marking	Range of application
water jets second characteristic numeral	temporary/continuous immersion second characteristic numeral		
5	7	IPX5/IPX7	Versatile
5	8	IPX5/IPX8	Versatile
6	7	IPX6/IPX7	Versatile
6	8	IPX6/IPX8	Versatile
9	7	IPX7/IPX9	Versatile
9	8	IPX8/IPX9	Versatile
5 and 9	7	IPX5/IPX7/IPX9	Versatile
5 and 9	8	IPX5/IPX8/IPX9	Versatile
6 and 9	7	IPX6/IPX7/IPX9	Versatile
6 and 9	8	IPX6/IPX8/IPX9	Versatile
-	7	IPX7	Restricted
-	8	IPX8	Restricted
9	-	IPX9	Restricted
5 and 9	-	IPX5/IPX9	Versatile
6 and 9	-	IPX6/IPX9	Versatile

Enclosures for “versatile” application indicated in the last column shall meet requirements for exposure to both water jets and temporary or continuous immersion.

Enclosures for “restricted” application indicated in the last column are considered suitable only for the conditions to which they were tested.

Table 3 – Degrees of protection against water indicated by the second characteristic numeral

Second characteristic numeral	Degree of protection		Test conditions, see
	Brief description	Definition	
0	Non-protected	–	–
1	Protected against vertically falling water drops	Vertically falling drops shall have no harmful effects	14.2.1
2	Protected against vertically falling water drops when enclosure tilted up to 15°	Vertically falling drops shall have no harmful effects when the enclosure is tilted at any angle up to 15° on either side of the vertical	14.2.2
3	Protected against spraying water	Water sprayed at an angle up to 60° on either side of the vertical shall have no harmful effects	14.2.3
4	Protected against splashing water	Water splashed against the enclosure from any direction shall have no harmful effects	14.2.4
5	Protected against water jets	Water projected in jets against the enclosure from any direction shall have no harmful effects	14.2.5
6	Protected against powerful water jets	Water projected in powerful jets against the enclosure from any direction shall have no harmful effects	14.2.6
7	Protected against the effects of temporary immersion in water	Ingress of water in quantities causing harmful effects shall not be possible when the enclosure is temporarily immersed in water under standardized conditions of pressure and time	14.2.7
8	Protected against the effects of continuous immersion in water	Ingress of water in quantities causing harmful effects shall not be possible when the enclosure is continuously immersed in water under conditions which shall be agreed between manufacturer and user but which are more severe than for numeral 7	14.2.8
9	Protected against high pressure and temperature water jets	Water projected at high pressure and high temperature against the enclosure from any direction shall not have harmful effects	14.2.9

7 Degrees of protection against access to hazardous parts indicated by the additional letter

The additional letter indicates the degree of protection of persons against access to hazardous parts.

Additional letters are only used

- if the actual protection against access to hazardous parts is higher than that indicated by the first characteristic numeral
- or if only the protection against access to hazardous parts is indicated, the first characteristic numeral being then replaced by an X.

For example, such higher protection may be provided by barriers, suitable shape of openings or distances inside the enclosure.

Table 4 gives access probes considered by convention as representative of parts of the human body or objects held by a person and the definitions for the degrees of protection against access to hazardous parts, indicated by additional letters.

An enclosure shall only be designated with a stated degree of protection indicated by the additional letter if the enclosure also complies with all lower degrees of protection. However, the tests establishing compliance with any one of the lower degrees of protection need not necessarily be carried out provided that these tests obviously would be met if applied.

The tests are specified in clause 15.

See annex A for examples of the IP coding.

Table 4 – Degrees of protection against access to hazardous parts indicated by the additional letter

Additional letter	Degree of protection		Test conditions, see
	Brief description	Definition	
A	Protected against access with the back of the hand	The access probe, sphere of 50 mm \varnothing , shall have adequate clearance from hazardous parts	15.2
B	Protected against access with a finger	The jointed test finger of 12 mm \varnothing , 80 mm length, shall have adequate clearance from hazardous parts	15.2
C	Protected against access with a tool	The access probe of 2,5 mm \varnothing , 100 mm length, shall have adequate clearance from hazardous parts	15.2
D	Protected against access with a wire	The access probe of 1,0 mm \varnothing , 100 mm length, shall have adequate clearance from hazardous parts	15.2

8 Supplementary letters

In the relevant product standard, supplementary information may be indicated by a supplementary letter following the second characteristic numeral or the additional letter.

Such exceptional cases shall conform with the requirements of this basic safety standard and the product standard shall state clearly the additional procedure to be carried out during tests for such a classification.

The letters listed below have already been designated and have the significance as stated:

Letter	Significance
H	High-voltage apparatus
M	Tested for harmful effects due to the ingress of water when the movable parts of the equipment (for example, the rotor of a rotating machine) are in motion
S	Tested for harmful effects due to the ingress of water when the movable parts of the equipment (for example, the rotor of a rotating machine) are stationary
W	Suitable for use under specified weather conditions and provided with additional protective features or processes

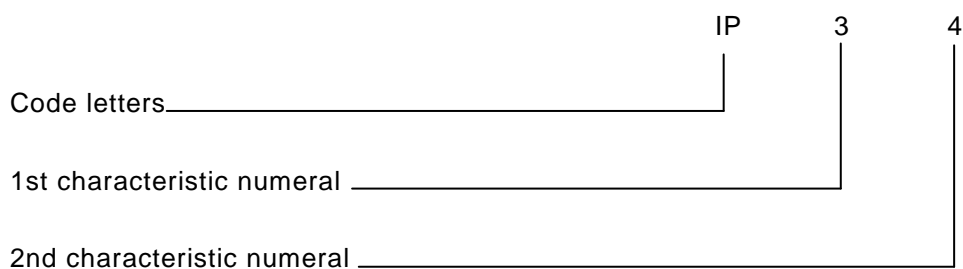
NOTE In the first edition of IEC 60529 the letter "W" with the same meaning was placed immediately after the code letters "IP".

Other letters may be used in product standards.*

The absence of the letters S and M implies that the degree of protection does not depend on whether parts of the equipment are in motion or not. This may necessitate tests being done under both conditions. However, the test establishing compliance with one of these conditions is generally sufficient, provided that the test in the other condition obviously would be met if applied.

9 Examples of designations with the IP Code

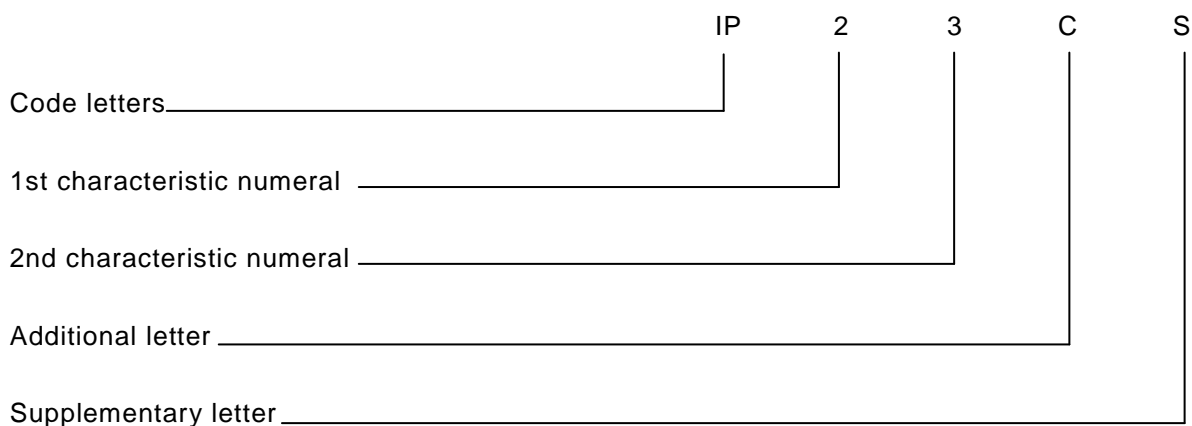
9.1 IP Code not using optional letters:



An enclosure with this designation (IP Code)

- (3) – protects persons, handling tools having a diameter of 2,5 mm and greater, against access to hazardous parts;
 - protects the equipment inside the enclosure against ingress of solid foreign objects having a diameter of 2,5 mm and greater;
- (4) – protects the equipment inside the enclosure against harmful effects due to water splashed against the enclosure from any direction.

9.2 IP Code using optional letters:



An enclosure with this designation (IP Code)

- (2) – protects persons against access to hazardous parts with fingers;
 - protects the equipment inside the enclosure against ingress of solid foreign objects having a diameter of 12,5 mm and greater;
- (3) – protects the equipment inside the enclosure against the harmful effects due to water sprayed against the enclosure;

* However, in order to avoid any duplicate of supplementary letters the Secretariat of technical committee 70 should be consulted before any new letter is introduced by another technical committee.

- (C) – protects persons handling tools having a diameter of 2,5 mm and greater and a length not exceeding 100 mm against access to hazardous parts (the tool may penetrate the enclosure up to its full length);
- (S) – is tested for protection against harmful effects due to the ingress of water when all the parts of the equipment are stationary.

10 Marking

The requirements for marking shall be specified in the relevant product standard.

Where appropriate, such a standard should also specify the method of marking which is to be used when

- one part of an enclosure has a different degree of protection to that of another part of the same enclosure;
- the mounting position has an influence on the degree of protection;
- the maximum immersion depth and time are indicated.

11 General requirements for tests

11.1 Atmospheric conditions for water or dust tests

Unless otherwise specified in the relevant product standard, the tests should be carried out under the standard atmospheric conditions described in IEC 60068-1.

The recommended atmospheric conditions during the tests are as follows:

Temperature range:	15 °C to 35 °C
Relative humidity:	25 % to 75 %
Air pressure:	86 kPa to 106 kPa (860 mbar to 1 060 mbar).

11.2 Test samples

The tests specified in this standard are type tests.

Unless otherwise specified in a relevant product standard, the test samples for each test shall be in a clean and new condition, with all parts in place and mounted in the manner stated by the manufacturer.

If it is impracticable to test the complete equipment, representative parts or smaller equipment having the same full-scale design details shall be tested.

The relevant product standard shall specify details such as:

- the number of samples to be tested;
- conditions for mounting, assembling and positioning of the samples, for example by the use of an artificial surface (ceiling, floor or wall);
NOTE This also applies to equipment intended to be united with other relevant equipment, for example, components which can be used either alone or in an assembly;
- the pre-conditioning, if any, which is to be used;
- whether to be tested energized or not;
- whether to be tested with its parts in motion or not.

In the absence of such specification, the manufacturer's instructions shall apply.

11.3 Application of test requirements and interpretation of test results

The application of the general requirements for tests and the acceptance conditions for equipment containing drain-holes or ventilation openings is the responsibility of the relevant technical committee.

In the absence of such specification the requirement of this standard shall apply.

The interpretation of test results is the responsibility of the relevant technical committee. In the absence of a specification the acceptance conditions of this standard shall at least apply.

11.4 Combination of test conditions for the first characteristic numeral

Designation with a first characteristic numeral implies that all test conditions are met for this numeral:

Table 5 – Test conditions for degrees of protection indicated by the first characteristic numeral

First characteristic numeral	Test for protection against	
	access to hazardous parts	solid foreign objects
0	No test required	No test required
1	The sphere of 50 mm \varnothing shall not fully penetrate and adequate clearance shall be kept	
2	The jointed test finger may penetrate up to its 80 mm length, but adequate clearance shall be kept	The sphere of 12,5 mm \varnothing shall not fully penetrate
3	The test rod of 2,5 mm \varnothing shall not penetrate and adequate clearance shall be kept	
4	The test wire of 1,0 mm \varnothing shall not penetrate and adequate clearance shall be kept	
5	The test wire of 1,0 mm \varnothing shall not penetrate and adequate clearance shall be kept	Dust-protected as specified in table 2
6	The test wire of 1,0 mm \varnothing shall not penetrate and adequate clearance shall be kept	Dust-tight as specified in table 2
In the case of the first characteristic numerals 1 and 2, "not fully penetrate" means that the full diameter of the sphere shall not pass through an opening of the enclosure.		

11.5 Empty enclosures

If the enclosure is tested without equipment inside, detailed requirements shall be indicated by the enclosure manufacturer in his instructions for the arrangement and spacing of hazardous parts or parts which might be affected by the penetration of foreign objects or water.

The manufacturer of the final assembly shall ensure that after the electrical equipment is enclosed the enclosure meets the declared degree of protection of the final product.

12 Tests for protection against access to hazardous parts indicated by the first characteristic numeral

12.1 Access probes

Access probes to test the protection of persons against access to hazardous parts are given in table 6.

12.2 Test conditions

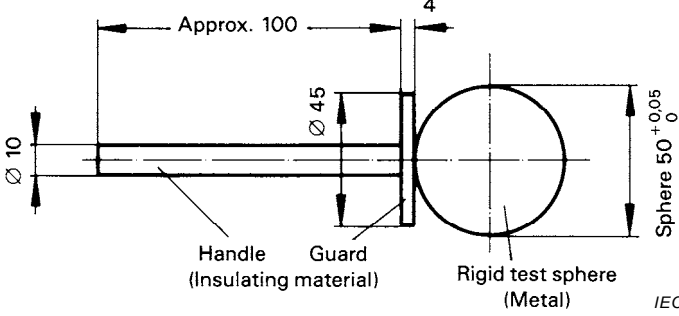
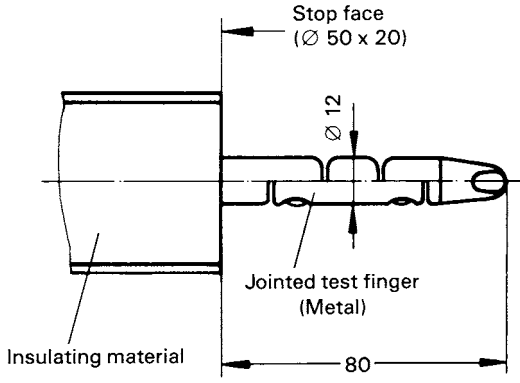
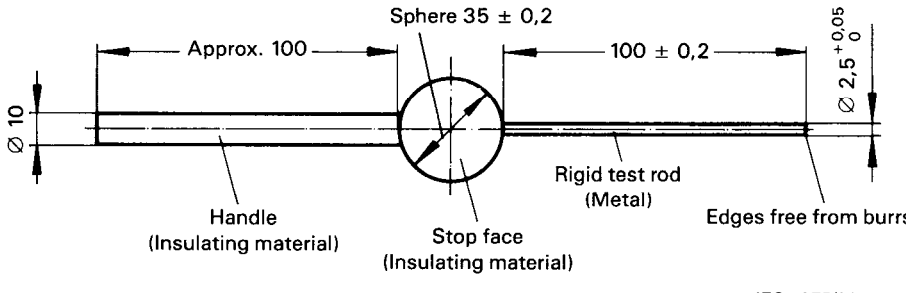
The access probe is pushed against or (in case of the test for first characteristic numeral 2) inserted through any openings of the enclosure with the force specified in table 6.

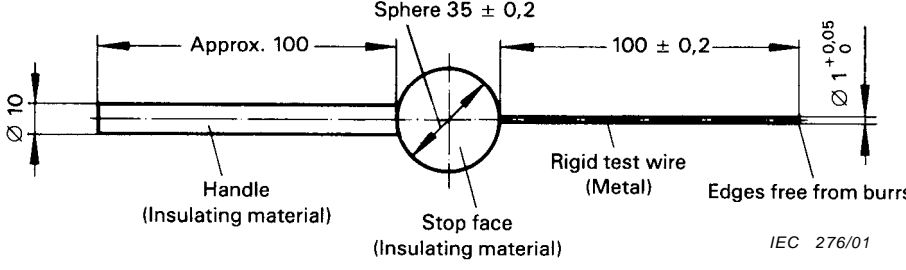
For tests on low-voltage equipment, a low-voltage supply (of not less than 40 V and not more than 50 V) in series with a suitable lamp should be connected between the probe and the hazardous parts inside the enclosure. Hazardous live parts covered only with varnish or paint, or protected by oxidation or by a similar process, are covered by a metal foil electrically connected to those parts which are normally live in operation.

The signal-circuit method should also be applied to the hazardous moving parts of high-voltage equipment.

Internal moving parts may be operated slowly, where this is possible.

Table 6 – Access probes for the tests for protection of persons against access to hazardous parts

First numeral	Addit. letter	Access probe	Test force
1	A	<p style="text-align: center;">Sphere 50 mm diameter</p>  <p style="text-align: right;"><i>IEC 273/01</i></p>	50 N ± 10 %
2	B	<p style="text-align: center;">Jointed test finger</p> <p>See figure 1 for full dimensions</p>  <p style="text-align: right;"><i>IEC 274/01</i></p>	10 N ± 10 %
3	C	<p style="text-align: center;">Test rod 2,5 mm diameter, 100 mm long</p>  <p style="text-align: right;"><i>IEC 275/01</i></p>	3 N ± 10 %

4, 5, 6	D	<p style="text-align: center;">Test wire 1,0 mm diameter, 100 mm long</p>  <p style="text-align: right;">IEC 276/01</p>	1 N ± 10 %
---------	---	---	------------

12.3 Acceptance conditions

The protection is satisfactory if adequate clearance is kept between the access probe and hazardous parts.

For the test of first characteristic numeral 1, the access probe 50 mm diameter shall not completely pass through the opening.

For the test of first characteristic numeral 2, the jointed test finger may penetrate to its 80 mm length, but the stop face (∅ 50 mm × 20 mm) shall not pass through the opening. Starting from the straight position, both joints of the test finger shall be successively bent through an angle of up to 90° with respect to the axis of the adjoining section of the finger and shall be placed in every possible position.

See annex A for further clarification.

Adequate clearance means:

12.3.1 For low-voltage equipment (rated voltages not exceeding 1 000 V a.c. and 1 500 V d.c.)

The access probe shall not touch hazardous live parts.

If adequate clearance is verified by a signal circuit between the probe and hazardous parts, the lamp shall not light.

NOTE The attention of relevant technical committees is drawn to the fact that in some types of electrical equipment the maximum voltage produced internally (r.m.s. value or d.c. value of the working voltage) is higher than the rated voltage of the equipment. This maximum voltage should be considered when the dielectric test voltage and the adequate clearance are determined.

12.3.2 For high-voltage equipment (rated voltages exceeding 1 000 V a.c. and 1 500 V d.c.)

When the access probe is placed in the most unfavourable position(s), the equipment shall be capable of withstanding the dielectric tests as specified in the relevant product standard applicable to the equipment.

Verification may be made either by dielectric test or by inspection of the specified clearance dimension in air which would ensure that the tests would be satisfactory under the most unfavourable electric field configuration (see IEC 60071-2).

In the case where an enclosure includes sections at different voltage levels the appropriate acceptance conditions for adequate clearance shall be applied for each section.

NOTE The attention of relevant technical committees is drawn to the fact that in some types of electrical equipment the maximum voltage produced internally (r.m.s. value or d.c. value of the working voltage) is higher than the rated voltage of the equipment. This maximum voltage should be considered when the dielectric test voltage and the adequate clearance are determined.

12.3.3 For equipment with hazardous mechanical parts:

The access probe shall not touch hazardous mechanical parts.

If adequate clearance is verified by a signal circuit between the probe and hazardous parts, the lamp shall not light.

13 Tests for protection against solid foreign objects indicated by the first characteristic numeral

13.1 Test means

Test means and the main test conditions are given in table 7.

Table 7 – Test means for the tests for protection against solid foreign objects

First characteristic numeral	Test means (object probes and dust chamber)	Test force	Test conditions, see
0	No test required	–	–
1	Rigid sphere without handle or guard 50 ^{+0,05} ₀ mm diameter	50 N ± 10 %	13.2
2	Rigid sphere without handle or guard 12,5 ^{+0,2} ₀ mm diameter	30 N ± 10 %	13.2
3	Rigid steel rod 2,5 ^{+0,05} ₀ mm diameter with edges free from burrs	3 N ± 10 %	13.2
4	Rigid steel rod 1,0 ^{+0,05} ₀ mm diameter with edges free from burrs	1 N ± 10 %	13.2
5	Dust chamber figure 2, with or without underpressure	–	13.4 + 13.5
6	Dust chamber figure 2, with underpressure	–	13.4 + 13.6

13.2 Test conditions for first characteristic numerals 1, 2, 3, 4

The object probe is pushed against any openings of the enclosure with the force specified in table 7.

13.3 Acceptance conditions for first characteristic numerals 1, 2, 3, 4

The protection is satisfactory if the full diameter of the probe specified in table 7 does not pass through any opening.

NOTE For first characteristic numerals 3 and 4 the probes specified in table 7 are intended to simulate foreign objects which may be spherical. Where an enclosure has an indirect or tortuous entry path and there is any doubt about ingress of a spherical object capable of motion, it may be necessary to examine drawings or to provide special access for the object probe to be applied with the specified force to the opening(s) where ingress has to be checked.

13.4 Dust test for first characteristic numerals 5 and 6

The test is made using a dust chamber incorporating the basic principles shown in figure 2 whereby the powder circulation pump may be replaced by other means suitable to maintain the talcum powder in suspension in a closed test chamber. The talcum powder used shall be able to pass through a square-meshed sieve the nominal wire diameter of which is 50 µm and the nominal width of a gap between wires 75 µm. The amount of talcum powder to be used is 2 kg per cubic metre of the test chamber volume. It shall not have been used for more than 20 tests.

NOTE Health and safety regulations should be observed in selecting the type of talcum powder and its use.

Enclosures are of necessity in one of two categories:

Category 1: Enclosures where the normal working cycle of the equipment causes reductions in air pressure within the enclosure below that of the surrounding air, for example, due to thermal cycling effects.

Category 2: Enclosures where no pressure difference relative to the surrounding air is present.

Category 1 enclosures:

The enclosure under test is supported inside the test chamber and the pressure inside the enclosure is maintained below the surrounding atmospheric pressure by a vacuum pump. The suction connection shall be made to a hole specially provided for this test. If not otherwise specified in the relevant product standard, this hole shall be in the vicinity of the vulnerable parts.

If it is impracticable to make a special hole, the suction connection shall be made to the cable inlet hole. If there are other holes (for example, more cable inlet holes or drain-holes) these shall be treated as intended for normal use on site.

The object of the test is to draw into the enclosure, by means of depression, a volume of air 80 times the volume of the sample enclosure tested without exceeding the extraction rate of 60 volumes per hour. In no event shall the depression exceed 2 kPa (20 mbar) on the manometer shown in figure 2.

If an extraction rate of 40 to 60 volumes per hour is obtained the duration of the test is 2 h.

If, with a maximum depression of 2 kPa (20 mbar), the extraction rate is less than 40 volumes per hour, the test is continued until 80 volumes have been drawn through, or a period of 8 h has elapsed.

Category 2 enclosures:

The enclosure under test is supported in its normal operating position inside the test chamber, but is not connected to a vacuum pump. Any drain-hole normally open shall be left open for the duration of the test. The test shall be continued for a period of 8 h.

Category 1 and category 2 enclosures:

If it is impracticable to test the complete enclosure in the test chamber, one of the following procedures shall be applied:

- testing of individually enclosed sections of the enclosure;
- testing of representative parts of the enclosure, comprising components such as doors, ventilation openings, joints, shaft seals, etc., in position during test;
- testing of a smaller enclosure having the same full-scale design details.

In the last two cases, the volume of air to be drawn through the enclosure under test shall be the same as for the whole enclosure in full scale.

13.5 Special conditions for first characteristic numeral 5

13.5.1 Test conditions for first characteristic numeral 5

The enclosure shall be deemed category 1 unless the relevant product standard for the equipment specifies that the enclosure is category 2.

13.5.2 Acceptance conditions for first characteristic numeral 5

The protection is satisfactory if, on inspection, talcum powder has not accumulated in a quantity or location such that, as with any other kind of dust, it could interfere with the correct operation of the equipment or impair safety. Except for special cases to be clearly specified in the relevant product standard, no dust shall deposit where it could lead to tracking along the creepage distances.

13.6 Special conditions for first characteristic numeral 6

13.6.1 Test conditions for first characteristic numeral 6

The enclosure shall be deemed category 1, whether reductions in pressure below the atmospheric pressure are present or not.

13.6.2 Acceptance conditions for first characteristic numeral 6

The protection is satisfactory if no deposit of dust is observable inside the enclosure at the end of the test.

14 Tests for protection against water indicated by the second characteristic numeral

14.1 Test means

The test means and the main test conditions are given in table 8.

**Table 8 – Test means and main test conditions
for the tests for protection against water**

Second characteristic numeral	Test means	Water flow rate	Duration of test	Test conditions, see
0	No test required	–	–	–
1	Drip box Figure 3 Enclosure on turntable	$1^{+0,5}_0$ mm/min	10 min	14.2.1
2	Drip box Figure 3 Enclosure in 4 fixed positions of 15° tilt	$3^{+0,5}_0$ mm/min	2,5 min for each position of tilt	14.2.2
3	Oscillating tube Figure 4 Spray ± 60° from vertical, distance max. 200 mm or Spray nozzle Figure 5 Spray ± 60° from vertical	0,07 l/min ± 5 % per hole, multiplied by number of holes	10 min	14.2.3 a)
		10 l/min ± 5 %	1 min/m ² at least 5 min	14.2.3 b)
4	As for numeral 3 Spray ± 180° from vertical	As for numeral 3		14.2.4
5	Water jet hose nozzle Figure 6 Nozzle 6,3 mm diameter, distance 2,5 m to 3 m	12,5 l/min ± 5 %	1 min/m ² at least 3 min	14.2.5
6	Water jet hose nozzle Figure 6 Nozzle 12,5 mm diameter, distance 2,5 m to 3 m	100 l/min ± 5 %	1 min/m ² at least 3 min	14.2.6
7	Immersion tank Water-level on enclosure: 0,15 m above top 1 m above bottom	–	30 min	14.2.7
8	Immersion tank Water-level: by agreement	–	by agreement	14.2.8
9	Fan jet nozzle Figure 7 Test of small enclosure on turntable Figure 12 Turntable speed (5 ± 1) r/min Spray at 0°, 30°, 60°, 90° Or Test of large enclosures as per intended use Spray from all practical directions Distance (175 ± 25) mm	(15 ± 1) l/min	30 s per position	14.2.9 a)
			1 min/m ² at least 3 min	14.2.9 b)

14.2 Test conditions

Test means and main test conditions are given in table 8.

Details concerning compliance of degrees of protection – in particular for second characteristic numerals 5/6/9 (water jets) and numerals 7/8 (immersion) – are given in Clause 6.

The tests are conducted with fresh water.

During the tests for IPX1 to IPX6 the water temperature should not differ by more than 5 K from the temperature of the specimen under test. If the water temperature is more than 5 K below the temperature of the specimen a pressure balance shall be provided for the enclosure. For IPX7 and IPX9 details of the water temperature are given in 14.2.7 and 14.2.9 respectively.

During the test, the moisture contained inside the enclosure may partly condense. The dew which may thus deposit shall not be mistaken for an ingress of water.

For the purpose of the tests, the surface area of the enclosure is calculated with a tolerance of 10 %.

Adequate safety precautions should be taken when testing the equipment in the energized condition.

14.2.1 Test for second characteristic numeral 1 with the drip box

The test is made with a device which produces a uniform flow of water drops over the whole area of the enclosure.

An example of such a device is shown in figure 3 a).

The turntable on which the enclosure is placed has a rotation speed of 1 r/min and the eccentricity (distance between turntable axis and specimen axis) is approximately 100 mm.

The enclosure under test is placed in its normal operating position under the drip box, the base of which is larger than that of the enclosure. Except for enclosures designed for wall or ceiling mounting, the support for the enclosure under test should be smaller than the base of the enclosure.

An enclosure normally fixed to a wall or ceiling is fixed in its normal position of use to a wooden board having dimensions which are equal to those of that surface of the enclosure which is in contact with the wall or ceiling when the enclosure is mounted as in normal use.

The duration of test is 10 min.

NOTE When the base of the drip box is smaller than that of the enclosure under test, the latter may be divided into several sections, the area of each section being large enough to be covered by the dripping water. The test is continued until the whole area of the enclosure has been sprinkled for the specified time.

14.2.2 Test for second characteristic numeral 2 with the drip box

The dripping device is the same as specified in 14.2.1 adjusted to provide the water flow rate specified in table 8.

The table on which the enclosure is placed does not turn as in the case of the test for the second characteristic numeral 1.

The enclosure is tested for 2,5 min in each of four fixed positions of tilt.

These positions are 15° on either side of the vertical in two mutually perpendicular planes (see figure 3b)).

The total duration of the test is 10 min.

14.2.3 Test for second characteristic numeral 3 with oscillating tube or spray nozzle

The test is made using one of the two test devices described in figure 4 and in figure 5 in accordance with the relevant product standard.

a) Conditions when using the test device as in figure 4 (oscillating tube):

The total flow rate is adjusted as specified in table 9 and is measured with a flow meter.

The oscillating tube is provided with spray holes over an arc of 60° either side of the centre point. The support is not perforated.

The enclosure to be tested is placed at the centre point of the semicircle. The tube is caused to oscillate through an angle of 120°, 60° on either side of the vertical, the time for one complete oscillation ($2 \times 120^\circ$) being about 4 s and the test duration being 5 min.

The enclosure is then turned through an horizontal angle of 90° and the test is continued for a further 5 min.

The maximum acceptable radius of the oscillating tube is 1 600 mm.

If for certain types of apparatus it is not possible to wet all parts of the enclosure under test, the support of the enclosure may be moved up or down. The hand-held test device as in figure 5 (spray nozzle) should be used as a preference in such cases.

b) Conditions when using the test device as in figure 5 (spray nozzle):

The counterbalanced shield is in place for this test.

The water pressure is adjusted to give the specified delivery rate. The pressure to achieve this delivery rate will be in the range of 50 kPa to 150 kPa. It should be kept constant during the test.

The test duration is 1 min/m² of the calculated surface area of the enclosure (excluding any mounting surface), with a minimum duration of 5 min.

14.2.4 Test for second characteristic numeral 4 with oscillating tube or spray nozzle

The test is made using one of the two test devices described in figure 4 and in figure 5 in accordance with the relevant product standard.

a) Conditions when using the test device as in figure 4 (oscillating tube):

The oscillating tube has spray holes over the whole 180° of the semicircle. The total flow rate is adjusted as specified in table 9 and is measured with a flow meter.

The tube is caused to oscillate through an angle of almost 360°, 180° on either side of the vertical, the time for one complete oscillation ($2 \times 360^\circ$) being about 12 s.

The duration of the test is 10 min.

If not specified otherwise in the relevant product standard, the support for the enclosure under test is perforated so as to avoid acting as a baffle and the enclosure is sprayed from every direction by oscillating the tube to the limit of its travel in each direction.

b) Conditions when using the test device as in figure 5 (spray nozzle):

The counterbalanced shield is removed from the spray nozzle and the enclosure is sprayed from all practicable directions.

The rate of water flow and the spraying time per unit area are as specified in 14.2.3.

**Table 9 – Total water flow rate q_v under IPX3 and IPX4 test conditions –
Mean flow rate per hole $q_{v1} = 0,07$ l/min**

Tube radius R mm	Degree IPX3		Degree IPX4	
	Number of open holes $N^{1)}$	Total water flow q_v l/min	Number of open holes $N^{1)}$	Total water flow q_v l/min
200	8	0,56	12	0,84
400	16	1,1	25	1,8
600	25	1,8	37	2,6
800	33	2,3	50	3,5
1 000	41	2,9	62	4,3
1 200	50	3,5	75	5,3
1 400	58	4,1	87	6,1
1 600	67	4,7	100	7,0

1) Depending on the actual arrangement of the hole centres at the specified distance, the number of open holes N may be increased by 1.

14.2.5 Test for second characteristic numeral 5 with the 6,3 mm nozzle

The test is made by spraying the enclosure from all practicable directions with a stream of water from a standard test nozzle as shown in figure 6.

The conditions to be observed are as follows:

- internal diameter of the nozzle: 6,3 mm;
- delivery rate: 12,5 l/min \pm 5 %;
- water pressure: to be adjusted to achieve the specified delivery rate;
- core of the substantial stream: circle of approximately 40 mm diameter at 2,5 m distance from nozzle;
- test duration per square metre of enclosure surface area likely to be sprayed: 1 min;
- minimum test duration: 3 min;
- distance from nozzle to enclosure surface: between 2,5 m and 3 m.

14.2.6 Test for second characteristic numeral 6 with the 12,5 mm nozzle

The test is made by spraying the enclosure from all practicable directions with a stream of water from a standard test nozzle as shown in figure 6.

The conditions to be observed are as follows:

- internal diameter of the nozzle: 12,5 mm;
- delivery rate: 100 l/min \pm 5 %;
- water pressure: to be adjusted to achieve the specified delivery rate;
- core of the substantial stream: circle of approximately 120 mm diameter at 2,5 m distance from nozzle;
- test duration per square metre of enclosure surface area likely to be sprayed: 1 min;
- minimum test duration: 3 min;
- distance from nozzle to enclosure surface: between 2,5 m and 3 m.

14.2.7 Test for second characteristic numeral 7: temporary immersion between 0,15 m and 1 m

The test is made by completely immersing the enclosure in water in its service position as specified by the manufacturer so that the following conditions are satisfied:

- a) the lowest point of enclosures with a height less than 850 mm is located 1 000 mm below the surface of the water;
- b) the highest point of enclosures with a height equal to or greater than 850 mm is located 150 mm below the surface of the water;
- c) the duration of the test is 30 min;
- d) the water temperature does not differ from that of the equipment by more than 5 K. However, a modified requirement may be specified in the relevant product standard if the tests are to be made when the equipment is energized and/or its parts in motion.

14.2.8 Test for second characteristic numeral 8: continuous immersion subject to agreement

Unless there is a relevant product standard, the test conditions are subject to agreement between manufacturer and user, but they shall be more severe than those prescribed in 14.2.7 and they shall take account of the condition that the enclosure will be continuously immersed in actual use.

14.2.9 Test for second characteristic numeral 9 by high pressure and temperature water jetting

The test is made by spraying the enclosure with a stream of water from a standard test nozzle as shown in Figures 7, 8 and 9.

The set-up for measuring the impact force of the water jet is given in Figure 10.

The distribution force shall be verified at upper and lower limits of distance tolerance range (see Figure 11).

- a) For small enclosures (largest dimension less than 250 mm), the enclosure shall be mounted on the test device shown in Figure 12.

- turntable speed: $5 \text{ r/min} \pm 1 \text{ r/min}$
- spray positions: 0° , 30° , 60° , 90°

The test duration is 30 s per position.

- b) For large enclosures (largest dimension greater than or equal to 250 mm), the enclosure shall be mounted as per intended use. The entire exposed surface area of the enclosure shall be subjected to the spray at some point during the test procedure.

- spray positions: the enclosure shall be sprayed from all practical directions covering the entire surface area and the spray shall be, as far as possible, perpendicular to the sprayed surface.
- distance between nozzle and sample under test shall be $175 \pm 25 \text{ mm}$.

The test duration is 1 min/m^2 of the calculated surface area of the enclosure (excluding any mounting surface), with a minimum duration of 3 min.

14.3 Acceptance conditions

After testing in accordance with the appropriate requirements of 14.2.1 to 14.2.9, the enclosure shall be inspected for ingress of water.

It is the responsibility of the relevant technical committee to specify the amount of water which may be allowed to enter the enclosure and the details of a dielectric strength test, if any.

In general, if any water has entered, it shall not:

- be sufficient to interfere with the correct operation of the equipment or impair safety;

- deposit on insulation parts where it could lead to tracking along the creepage distances;
- reach live parts or windings not designed to operate when wet;
- accumulate near the cable end or enter the cable if any.

If the enclosure is provided with drain-holes, it should be proved by inspection that any water which enters does not accumulate and that it drains away without doing any harm to the equipment.

For enclosures without drain-holes, the relevant product standard shall specify the acceptance conditions if water can accumulate to reach live parts.

15 Tests for protection against access to hazardous parts indicated by the additional letter

15.1 Access probes

Access probes to verify the protection of persons against access to hazardous parts are given in table 6.

15.2 Test conditions

The access probe is pushed against any openings of the enclosure with the force specified in table 6. If it partly or fully penetrates, it is placed in every possible position, but in no case shall the stop face fully penetrate through the opening.

Internal barriers are considered part of the enclosure as defined in 3.1.

For tests on low-voltage equipment, a low-voltage supply (of not less than 40 V and not more than 50 V) in series with a suitable lamp should be connected between the probe and the hazardous parts inside the enclosure. Hazardous live parts covered only with varnish or paint, or protected by oxidation or by a similar process, are covered by a metal foil electrically connected to those parts which are normally live in operation.

The signal-circuit method should also be applied to the hazardous moving parts of high-voltage equipment.

Internal moving parts may be operated slowly, where this is possible.

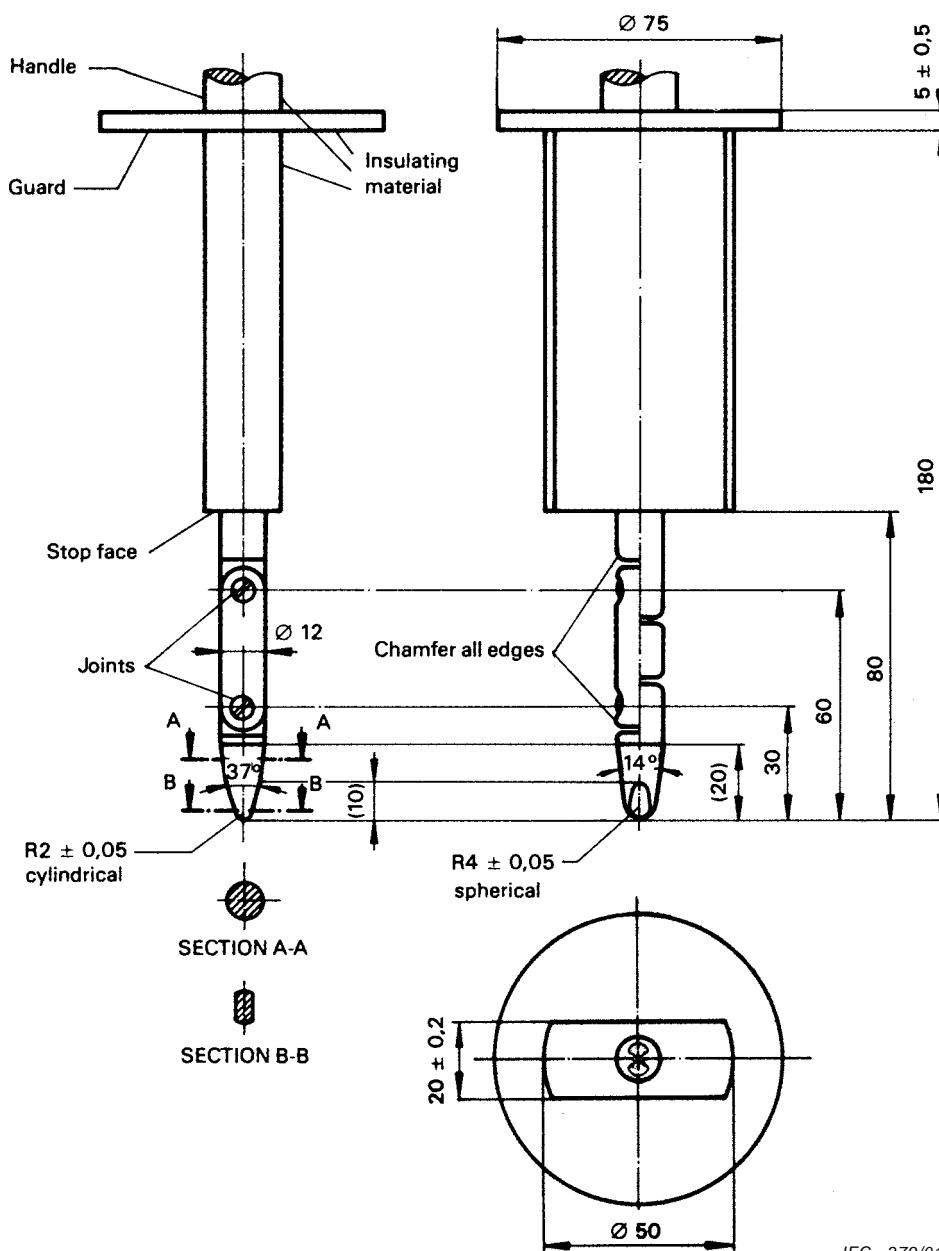
15.3 Acceptance conditions

The protection is satisfactory if adequate clearance is kept between the access probe and hazardous parts.

In the case of the test for the additional letter B, the jointed test finger may penetrate to its 80 mm length, but the stop face (\varnothing 50 mm \times 20 mm) shall not pass through the opening. Starting from the straight position, both joints of the test finger shall be successively bent through an angle of up to 90° with respect to the axis of the adjoining section of the finger and shall be placed in every possible position.

In case of the tests for the additional letters C and D, the access probe may penetrate to its full length, but the stop face shall not fully penetrate through the opening. See annex A for further clarification.

Conditions for verification of adequate clearance are identical with those given in 12.3.1, 12.3.2 and 12.3.3.



IEC 279/01

Material: metal, except where otherwise specified

Linear dimensions in millimetres

Tolerances on dimensions without specific tolerance:

on angles: 0/-10°

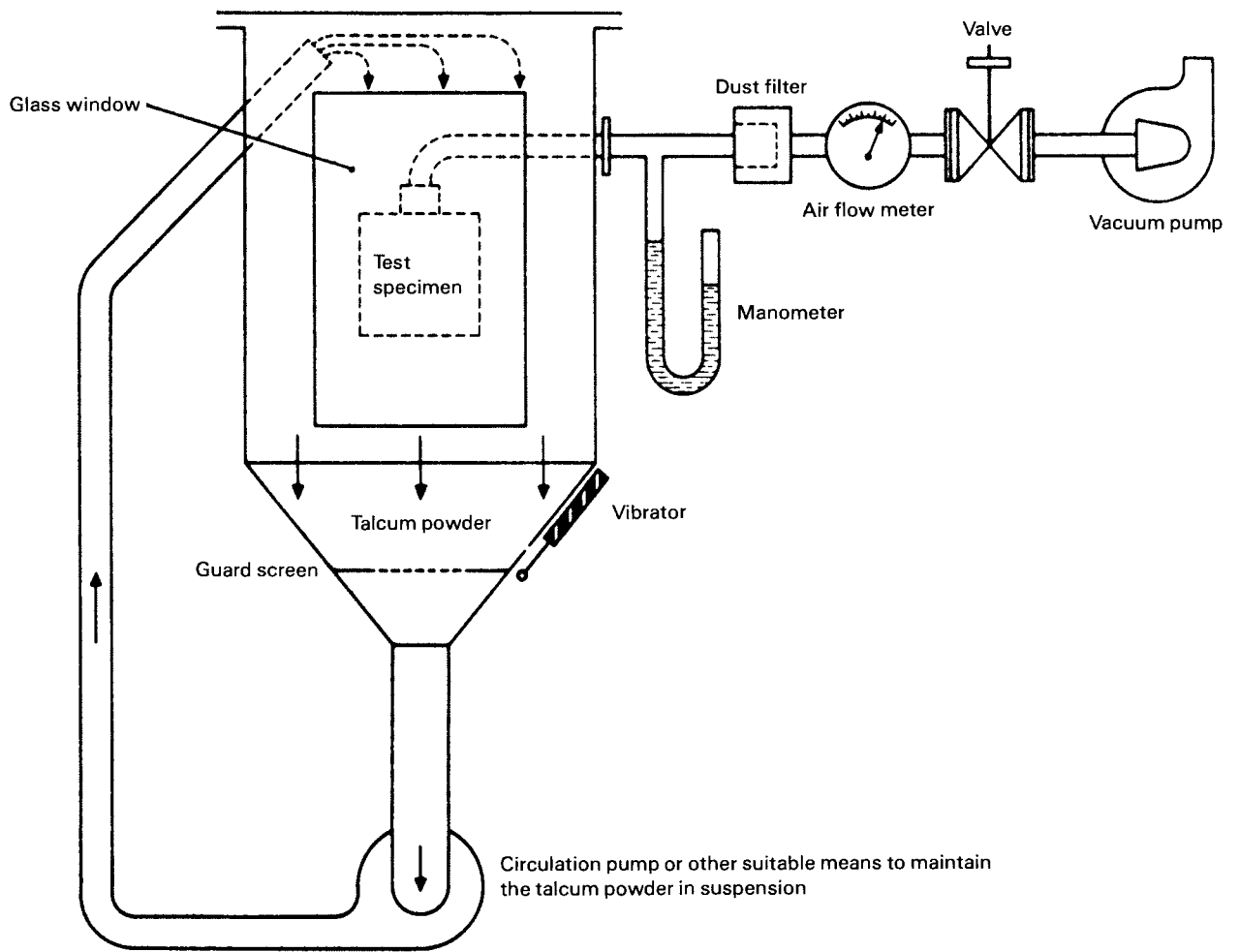
on linear dimensions:

up to 25 mm: 0/-0,05

over 25 mm: ±0,2

Both joints shall permit movement in the same plane and the same direction through an angle of 90° with a 0 to +10° tolerance.

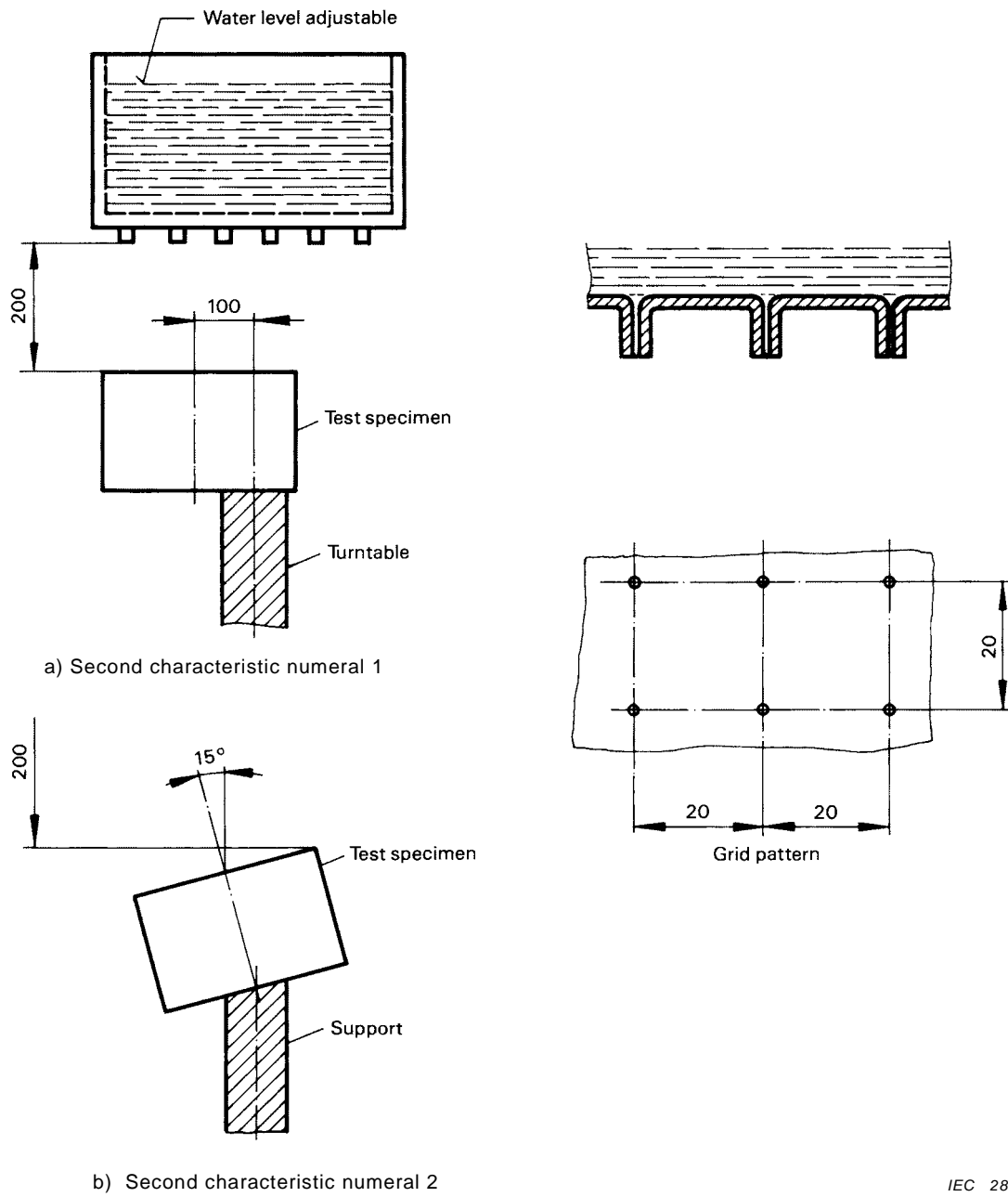
Figure 1 – Jointed test finger



IEC 280/01

NOTE See IEC 60068-2-68, figure 2 valid for La2 only.

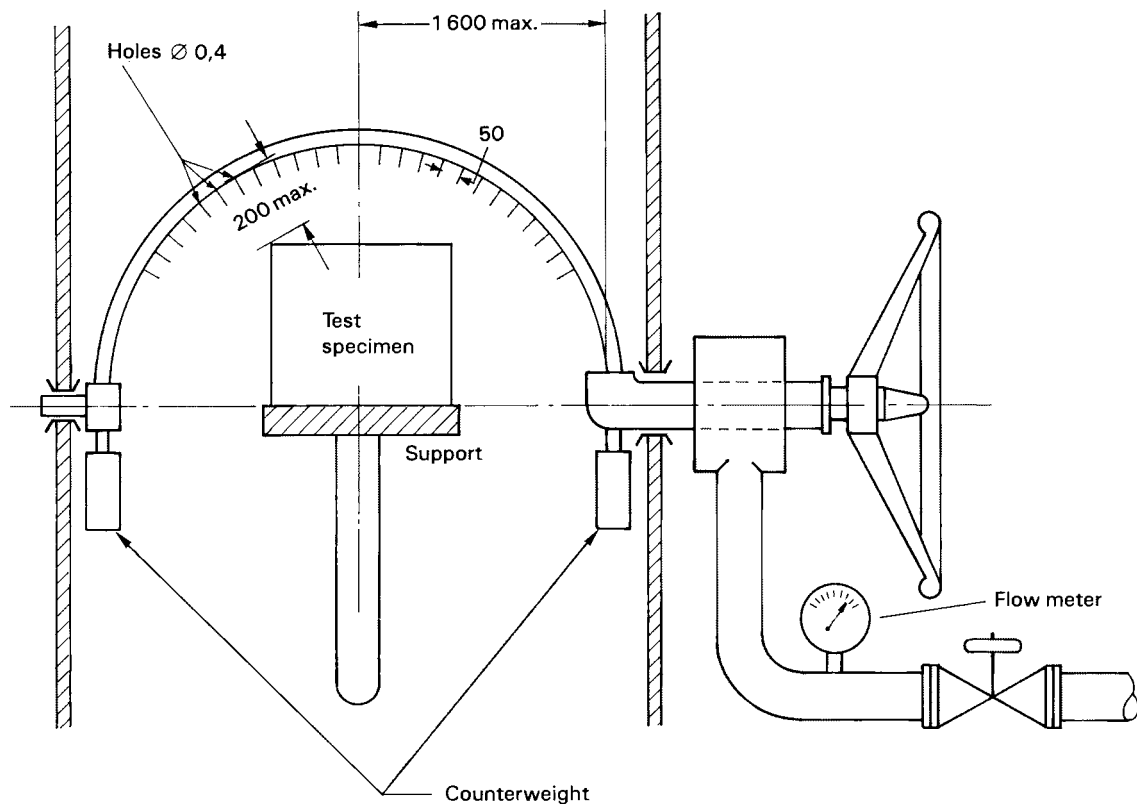
Figure 2 – Test device to verify protection against dust (dust chamber)



IEC 281/01

Dimensions in millimetres

Figure 3 – Test device to verify protection against vertically falling water drops (drip box)

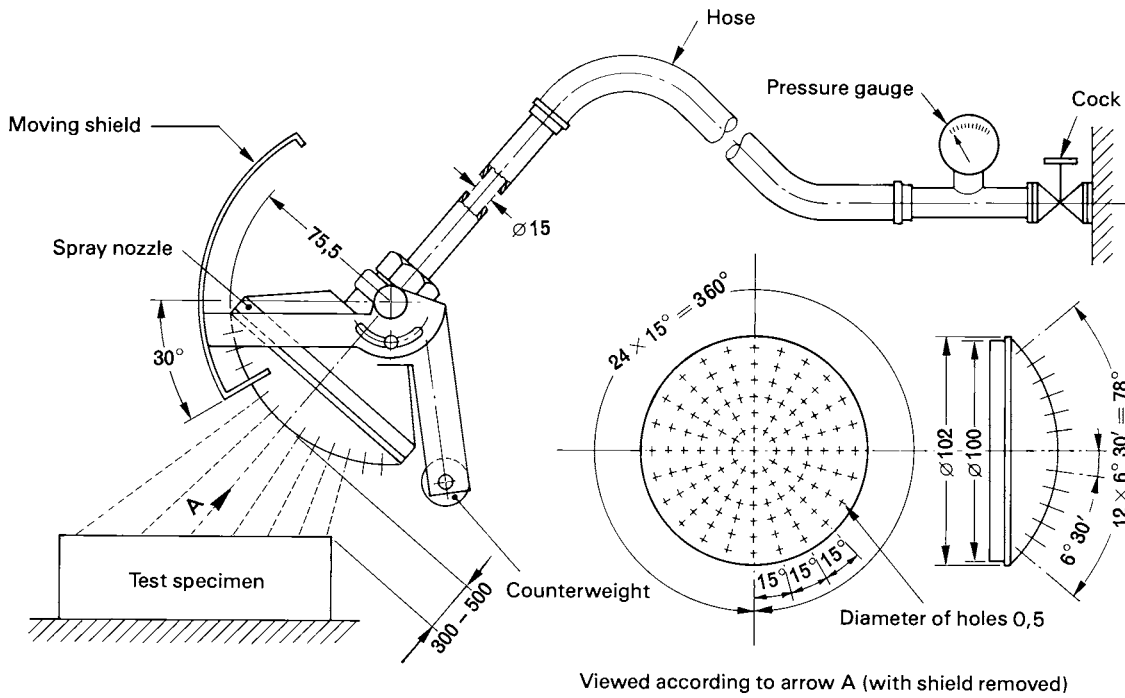


IEC 282/01

Dimensions in millimetres

NOTE The range of holes is shown as for second characteristic numeral 3 (see 14.2.3 a)).

**Figure 4 – Test device to verify protection against spraying and splashing water;
second characteristic numerals 3 and 4 (oscillating tube)**

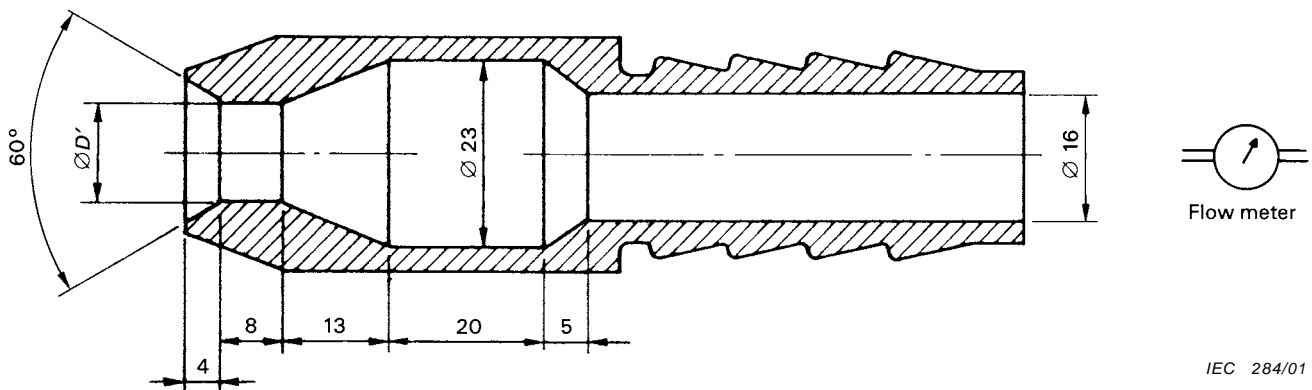


IEC 283/01

Dimensions in millimetres

- 121 holes of $\varnothing 0,5$;
- 1 hole at the centre
- 2 inner circles of 12 holes at 30° pitch
- 4 outer circles of 24 holes at 15° pitch
- Moving shield – Aluminium
- Spray nozzle – Brass

Figure 5 – Hand-held device to verify protection against spraying and splashing water; second characteristic numerals 3 and 4 (spray nozzle)



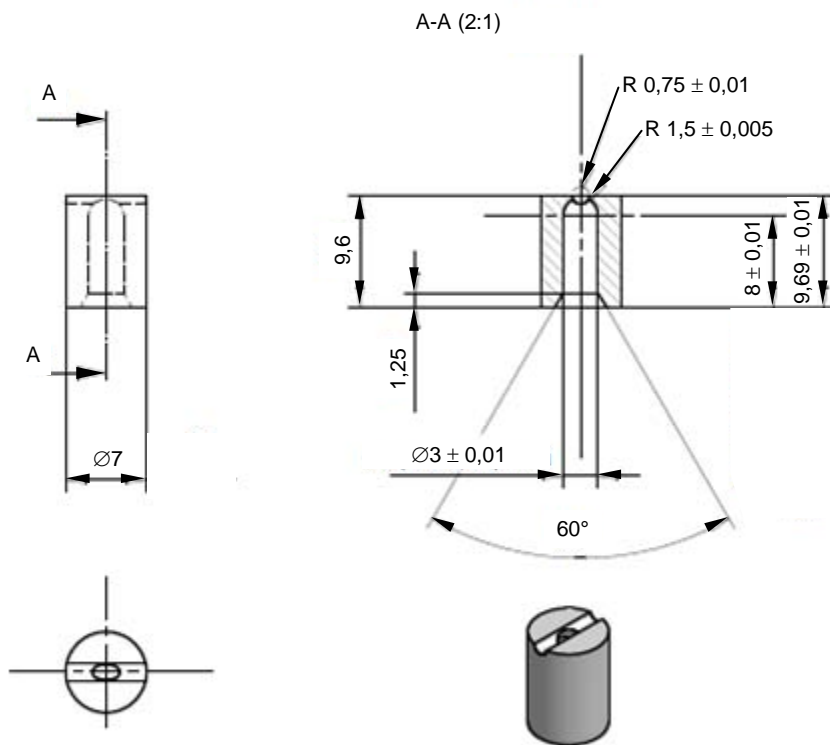
IEC 284/01

Dimensions in millimetres

- $D' = 6,3$ for the test of 14.2.5 (second characteristic numeral 5)
- $D' = 12,5$ for the test of 14.2.6 (second characteristic numeral 6)

Figure 6 – Test device to verify protection against water jets (hose nozzle)

Dimensions in millimetres

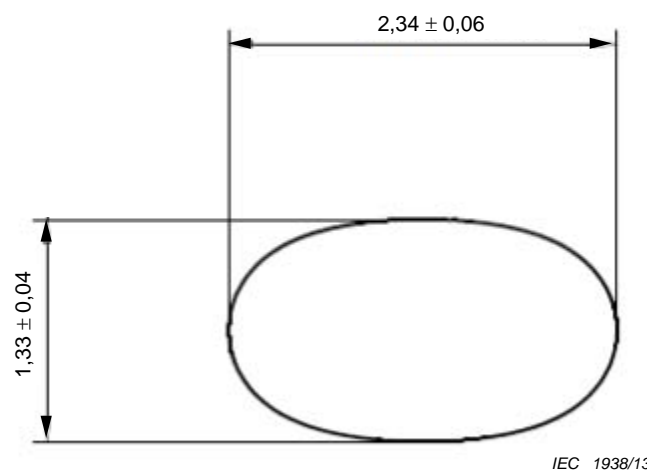


IEC 1937/13

NOTE The dimension $9,69 \pm 0,01$ refers to the centre of the radius $R 0,75 \pm 0,01$.

Figure 7 – Fan jet nozzle dimensions

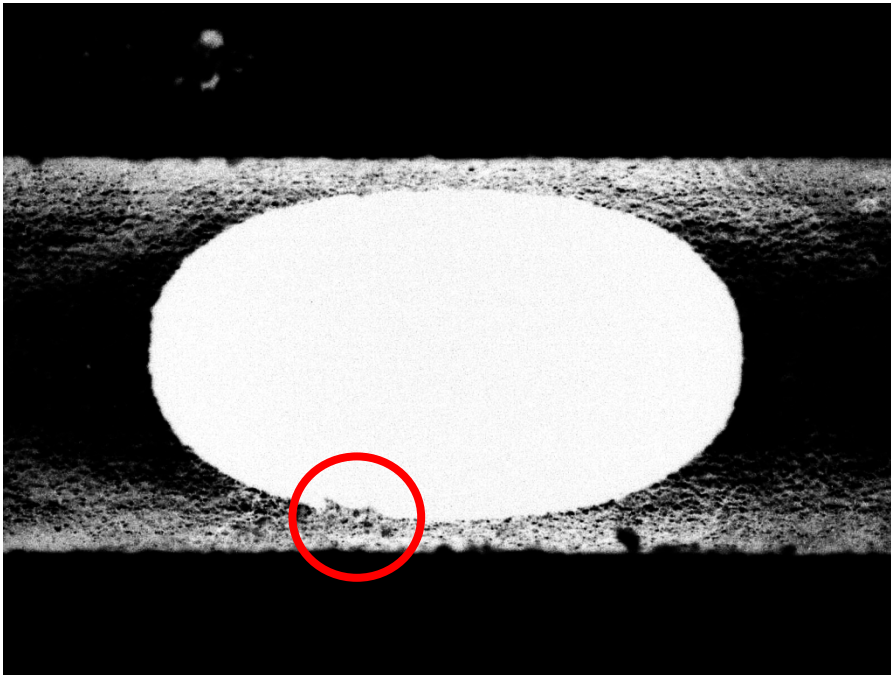
Dimensions in millimetres



IEC 1938/13

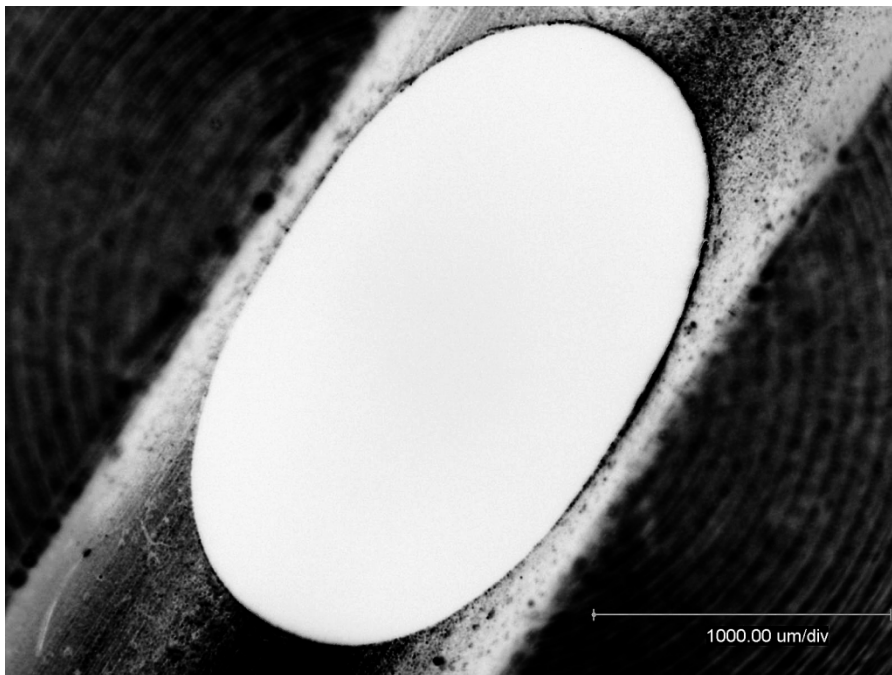
NOTE A magnification of 100 times the edge of the nozzle should show a regular profile (see for example Figure 9).

Figure 8 – Fan jet nozzle resulting dimensions of spraying hole for checking purpose



Bad surface finish

IEC 1939/13

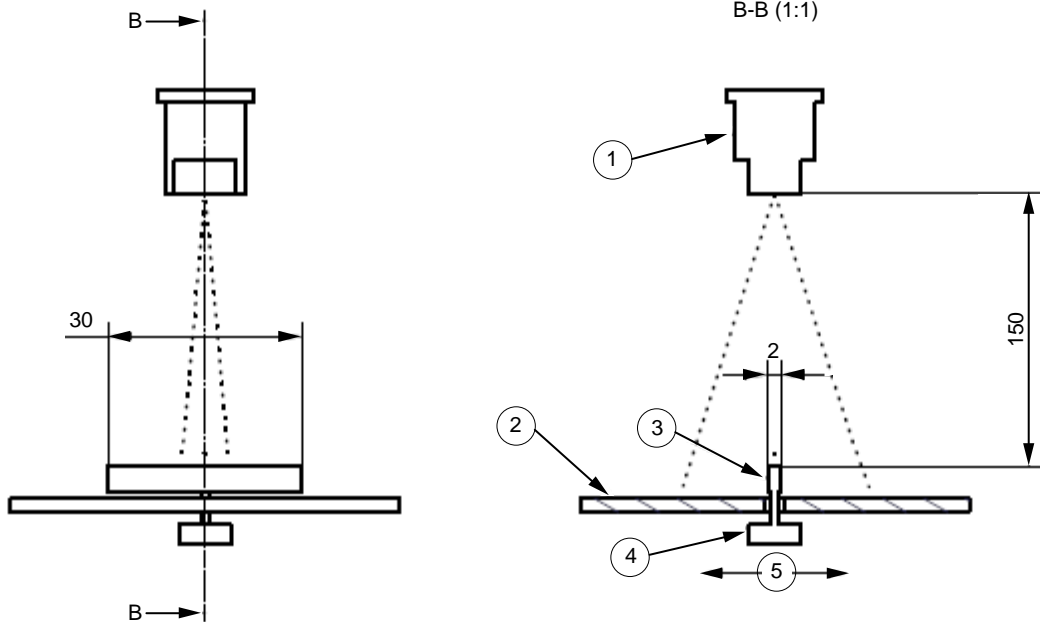


Good surface finish

IEC 1940/13

Figure 9 – Example of different quality achievements of the surface finish of the fan jet nozzle

Dimensions in millimetres

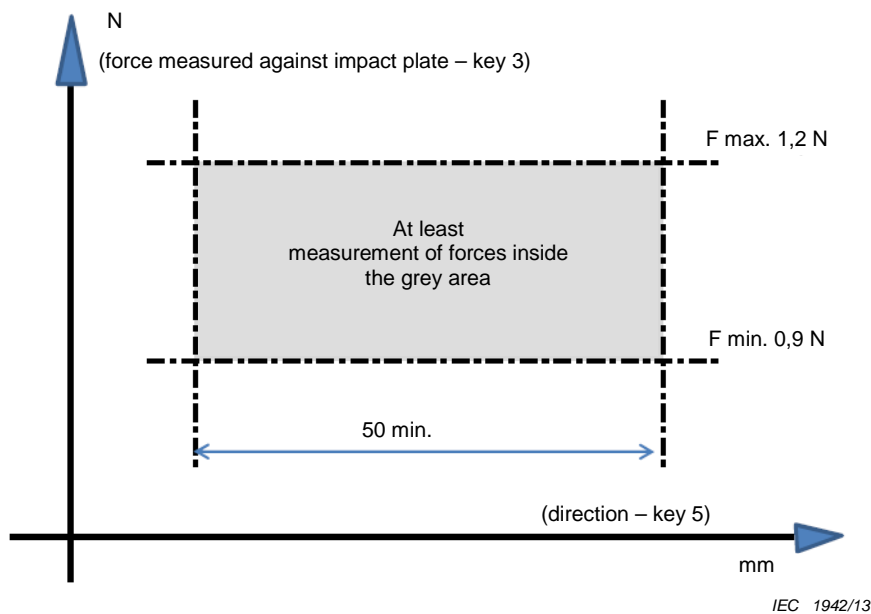


IEC 1941/13

Key

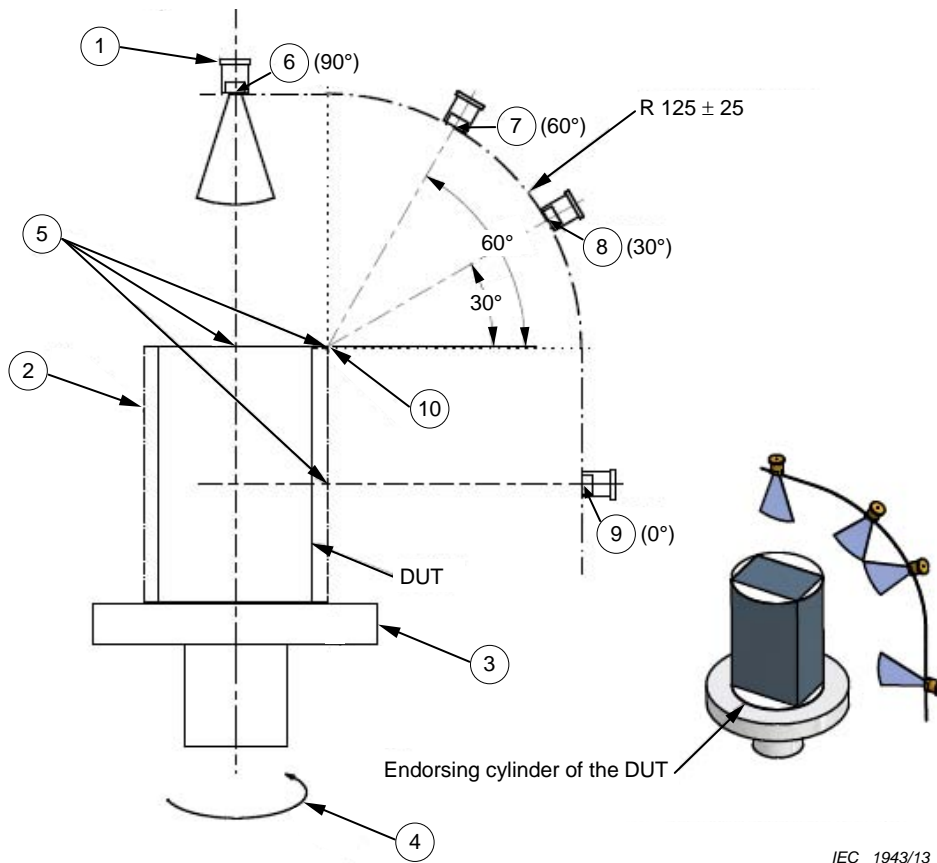
- 1 fan jet nozzle:
adjustment of the flow – rate between (15 ± 1) l/min to reach a distribution impact force of 0,9 – 1,2 N.
Water temperature during verification (20 ± 5) °C.
- 2 cover plate
- 3 impact plate 2 mm × 30 mm
- 4 force sensor
- 5 distribution forces directions (see also Figure 11)

Figure 10 – Set-up for measuring the impact force of the water jet for determining the protection against high pressure and temperature water jet, degree of protection against ingress of water IP X9



IEC 1942/13

Figure 11 – Impact force distribution



IEC 1943/13

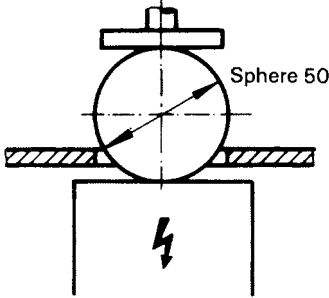
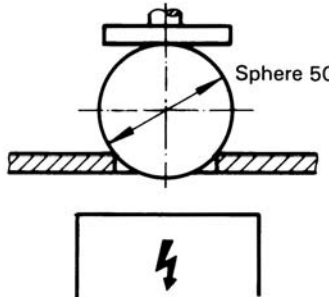
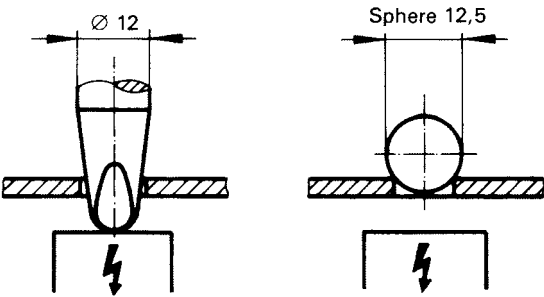
Key

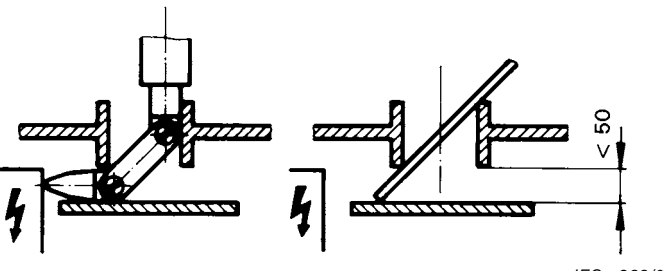
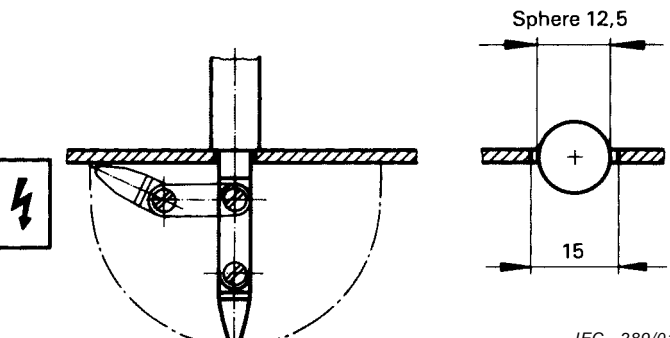
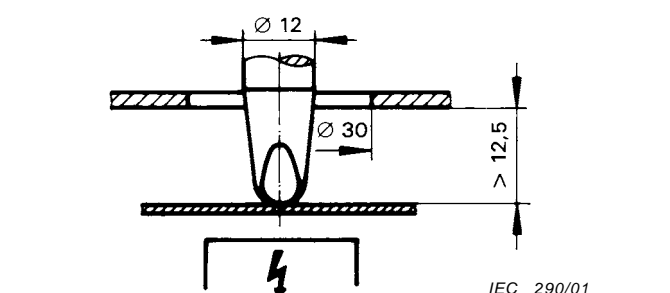
- | | | | |
|---|---|----|--|
| 1 | fan jet nozzle | 6 | position 1 of the nozzle (90°) |
| 2 | endorsing cylinder for DUT | 7 | position 2 of the nozzle (60°) |
| 3 | holder (rotating table) | 8 | position 3 of the nozzle (30°) |
| 4 | swivel axis (axis of rotation) | 9 | position 4 of the nozzle (0°) |
| 5 | reference point for 0°, for 30° and 60°, then for 90° versus the endorsing cylinder for DUT | 10 | centre point of circle R125 mm to locate nozzles |

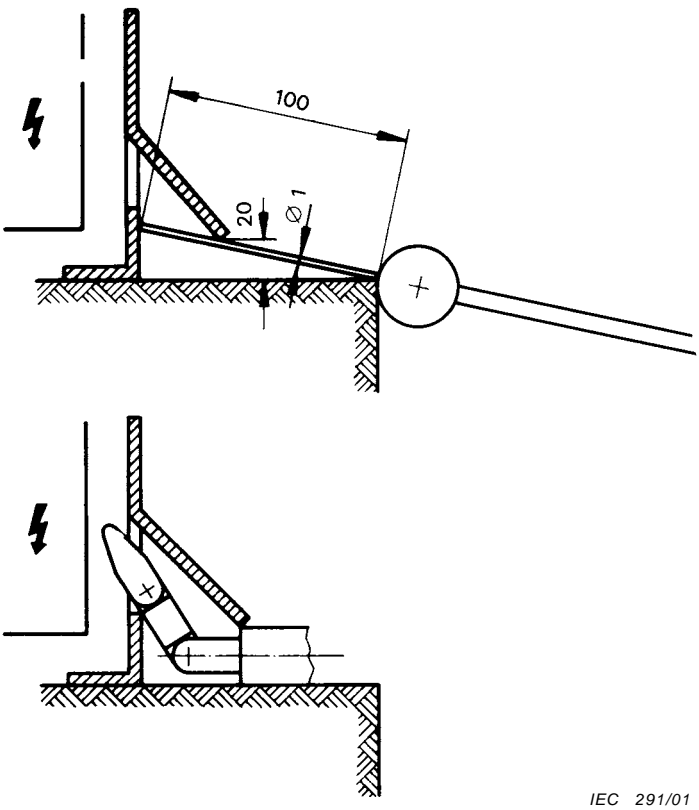
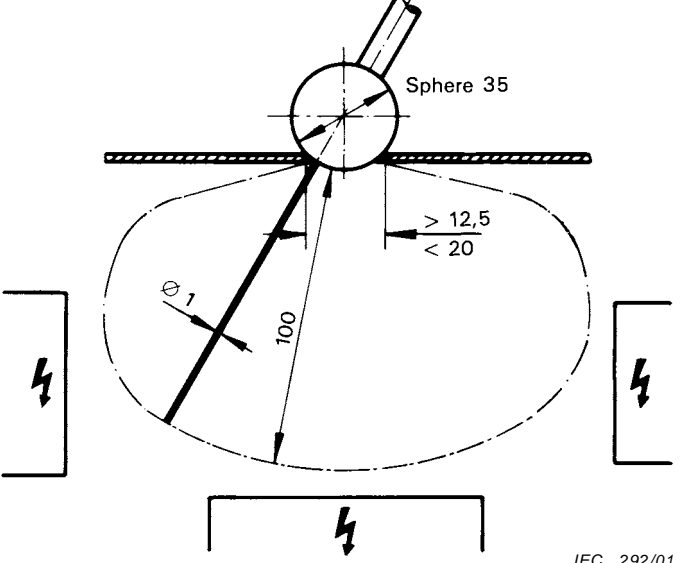
Figure 12 – Test set-up for determining the protection against high-pressure and temperature water jet; degree of protection against ingress of water IP X9 for small enclosures

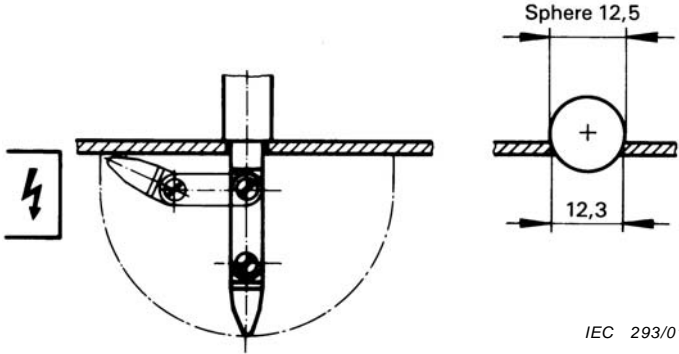
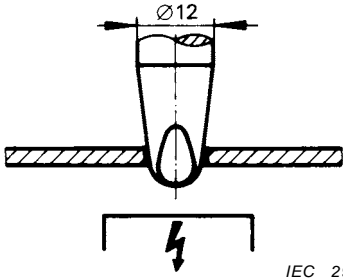
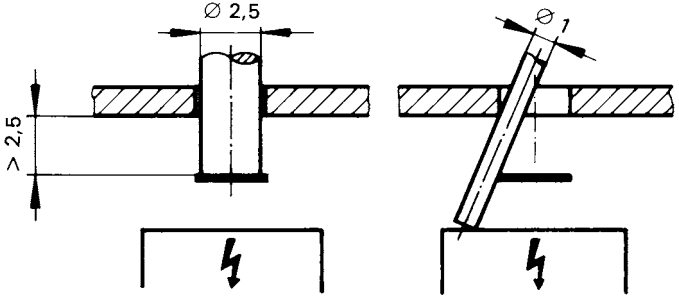
Annex A
(informative)

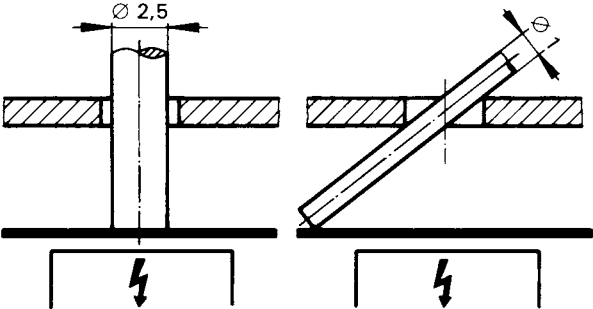
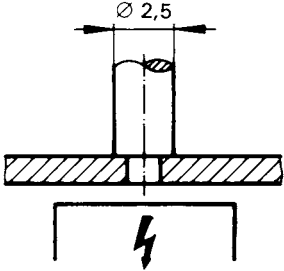
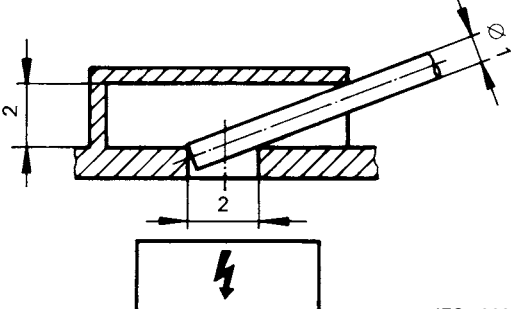
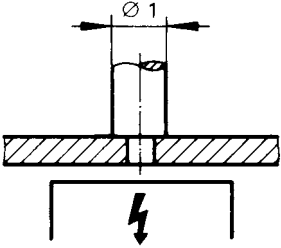
Examples of IP coding for the verification of protection of low-voltage equipment against access to hazardous parts

Ref. No.	Situation	Two numerals	Additional letter	Two numerals + additional letter
1	 <p style="text-align: center;"><i>IEC 285/01</i></p>	0X	-	0X
2	 <p style="text-align: center;"><i>IEC 286/01</i></p>	1X	A	1X
3	 <p style="text-align: center;"><i>IEC 287/01</i></p>	1X	A	1X

Ref. No.	Situation	Two numerals	Additional letter	Two numerals + additional letter
4	 <p style="text-align: right;"><i>IEC 288/01</i></p>	1X	A	1X
5	 <p style="text-align: right;"><i>IEC 289/01</i></p>	1X	B	1XB
6	 <p style="text-align: right;"><i>IEC 290/01</i></p>	1X	B	1XB

Ref. No.	Situation	Two numerals	Additional letter	Two numerals + additional letter
7	 <p style="text-align: right;"><i>IEC 291/01</i></p>	1X	D	1XD
8	 <p style="text-align: right;"><i>IEC 292/01</i></p>	1X	D	1XD

Ref. No.	Situation	Two numerals	Additional letter	Two numerals + additional letter
9	 <p style="text-align: right;"><i>IEC 293/01</i></p>	2X	B	2X
10	 <p style="text-align: right;"><i>IEC 294/01</i></p>	2X	B	2X
11	 <p style="text-align: right;"><i>IEC 295/01</i></p>	2X	C	2XC

Ref. No.	Situation	Two numerals	Additional letter	Two numerals + additional letter
12	 <p style="text-align: right;"><i>IEC 296/01</i></p>	2X	D	2XD
13	 <p style="text-align: right;"><i>IEC 297/01</i></p>	3X	C	3X
14	 <p style="text-align: right;"><i>IEC 298/01</i></p>	3X	D	3XD
15	 <p style="text-align: right;"><i>IEC 299/01</i></p>	4X	D	4X

IP Codes of examples in annex A

First characteristic numeral	Additional letter				
	–	A	B	C	D
0	IP0X (1)	–	–	–	–
1	–	IP1X (2, 3, 4)	IP1XB (5, 6)	–	IP1XD (7, 8)
2	–	–	IP2X (9, 10)	IP2XC (11)	IP2XD (12)
3	–	–	–	IP3X (13)	IP3XD (14)
4	–	–	–	–	IP4X (15)

NOTE The numerals in parentheses refer to the reference numbers in this annex.

Annex B (informative)

Summary of responsibilities of relevant technical committees

The IP Code for classifying the degrees of protection provided by enclosures is intended to be used for most types of electrical equipment.

It should not be assumed that this standard is suitable to cover all specific details of the various types of equipment.

It is the responsibility of relevant technical committees to specify in their relevant product standards all details concerning the application of the IP Code to a particular type of equipment.

Marking with the IP Code indicates a claim for compliance with all the applicable requirements of this standard and also with any complementary requirements specified in the appropriate product standard.

The following list is given as a guide for the detailed information to be specified in product standards:

- 1) extent and manner to which the IP Code shall be used (see clause 4);
- 2) definition of “enclosure” as it applies to the particular type of equipment (see clause 2);
- 3) the protection of both the enclosure and the equipment inside the enclosure against external influences or conditions (see clause 2);
- 4) degree of protection applied to hazardous moving parts (such as fans) external to the enclosure (see clause 2);
- 5) the range of application if enclosures are exposed to temporary or continuous immersion (see clause 6);
- 6) the application of “additional letters” for protection against access to hazardous parts provided by internal barriers or distances, if necessary (see clause 7);
- 7) supplementary information to be given by “supplementary letters”, if any (see clause 8);
- 8) the Secretariat of TC 70 shall be consulted before any new supplementary letter is introduced and the additional test procedure shall be stated (see clause 8);
- 9) details for the marking (see clause 10);
- 10) atmospheric conditions for testing if different from 11.1;
- 11) state and condition of test samples if different from the “general requirements for tests” (see 11.2);
- 12) details of test conditions (see 11.2) such as:
 - number of samples
 - mounting, assembling, positioning
 - pre-conditioning
 - whether energized or not
 - whether parts in motion or not;
- 13) application of the general requirements for tests and the acceptance conditions on, drain-holes and ventilation openings (see 11.3);
- 14) guidance for the interpretation of test results and for the acceptance conditions (see 11.3);
- 15) the working voltage, if applicable (see 12.3.1 and 12.3.2);

- 16) the category of the enclosure, indicating whether a pressure difference due to thermal cycling effects is present or not (see 13.4);
- 17) the location of the suction hole for the dust test if not in the vicinity of vulnerable parts (see 13.4);
- 18) the quantity and location of dust deposits permitted without affecting the safe operation (see 13.5.2);
- 19) the test device for IPX3 and IPX4 tests (oscillating tube or spray nozzle) (see 14.2.3 and 14.2.4);
- 20) the type of support for the enclosure (if not perforated) during IPX4 test (see 14.2.4);
- 21) the water temperature if the equipment is energized or running during the immersion test (see 14.2.7 d));
- 22) conditions for the continuous immersion test (see 14.2.8);
- 23) the acceptance conditions following the water tests, in particular the amount of water which may be allowed to enter and the details of any dielectric strength test (see 14.3);
- 24) the acceptance conditions if water can accumulate to reach live parts (see 14.3).
- 25) the temperature of the water for IPX9 test if different from 80 °C.

Bibliography

IEC 61032, *Protection of persons and equipment by enclosures – Probes for verification*

IEC 61140, *Protection against electric shock – Common aspects for Installation and equipment*

SOMMAIRE

AVANT-PROPOS.....	55
INTRODUCTION.....	57
INTRODUCTION A L'AMENDEMENT 2.....	58
1 Domaine d'application et objet.....	59
2 Références normatives.....	60
3 Définitions.....	60
4 Désignations.....	62
4.1 Disposition du Code IP.....	62
4.2 Eléments du Code IP et leurs significations.....	62
4.3 Exemples d'utilisation des lettres dans le Code IP.....	63
5 Degrés de protection contre l'accès aux parties dangereuses et contre la pénétration de corps solides étrangers, indiqués par le premier chiffre caractéristique.....	64
5.1 Protection contre l'accès aux parties dangereuses.....	64
5.2 Protection contre les corps solides étrangers.....	65
6 Degrés de protection contre la pénétration de l'eau indiqués par le deuxième chiffre caractéristique.....	66
7 Degrés de protection contre l'accès aux parties dangereuses indiqués par la lettre additionnelle.....	68
8 Lettres supplémentaires.....	69
9 Exemples de désignations avec le Code IP.....	70
9.1 Code IP n'utilisant pas les lettres en option:.....	70
9.2 Code IP utilisant les lettres en option:.....	70
10 Marquage.....	71
11 Prescriptions générales d'essai.....	71
11.1 Conditions atmosphériques pour les essais à l'eau ou pour les essais à la poussière.....	71
11.2 Echantillons pour essais.....	71
11.3 Application des prescriptions et interprétation des résultats d'essai.....	72
11.4 Combinaison des conditions d'essai pour le premier chiffre caractéristique.....	72
11.5 Enveloppes vides.....	72
12 Essais pour la protection contre l'accès aux parties dangereuses indiquée par le premier chiffre caractéristique.....	73
12.1 Calibres d'accessibilité.....	73
12.2 Conditions d'essai.....	73
12.3 Conditions d'acceptation.....	75
12.3.1 Pour le matériel à basse tension (pour les tensions assignées ne dépassant pas 1 000 V en courant alternatif et 1 500 V en courant continu).....	75
12.3.2 Pour le matériel à haute tension (pour les tensions assignées dépassant 1 000 V en courant alternatif et 1 500 V en courant continu).....	75
12.3.3 Pour les matériels comportant des parties mécaniques dangereuses:.....	75
13 Essais pour la protection contre la pénétration de corps solides étrangers indiquée par le premier chiffre caractéristique.....	76
13.1 Moyens d'essai.....	76
13.2 Conditions d'essai pour les premiers chiffres caractéristiques 1, 2, 3, 4.....	76

13.3	Conditions d'acceptation pour les premiers chiffres caractéristiques 1, 2, 3, 4.....	76
13.4	Essai à la poussière pour les premiers chiffres caractéristiques 5 et 6.....	76
13.5	Conditions spéciales pour le premier chiffre caractéristique 5.....	78
13.5.1	Conditions d'essai pour le premier chiffre caractéristique 5.....	78
13.5.2	Conditions d'acceptation pour le premier chiffre caractéristique 5.....	78
13.6	Conditions spéciales pour le premier chiffre caractéristique 6.....	78
13.6.1	Conditions d'essai pour le premier chiffre caractéristique 6.....	78
13.6.2	Conditions d'acceptation pour le premier chiffre caractéristique 6.....	78
14	Essais pour la protection contre la pénétration de l'eau indiquée par le deuxième chiffre caractéristique.....	78
14.1	Moyens d'essai.....	78
14.2	Conditions d'essai.....	79
14.2.1	Essai pour le deuxième chiffre caractéristique 1 à l'aide de la boîte à gouttes ...	80
14.2.2	Essai pour le deuxième chiffre caractéristique 2 à l'aide de la boîte à gouttes ...	80
14.2.3	Essai pour le deuxième chiffre caractéristique 3 avec le tube oscillant ou la pomme d'arrosoir.....	81
14.2.4	Essai pour le deuxième chiffre caractéristique 4 avec le tube oscillant ou la pomme d'arrosoir.....	81
14.2.5	Essai pour le deuxième chiffre caractéristique 5 avec la buse de 6,3 mm.....	82
14.2.6	Essai pour le deuxième chiffre caractéristique 6 avec la buse de 12,5 mm.....	82
14.2.7	Essai pour le deuxième chiffre caractéristique 7: immersion temporaire entre 0,15 m et 1 m.....	83
14.2.8	Essai pour le deuxième chiffre caractéristique 8: immersion prolongée soumise à accord.....	83
14.2.9	Essai pour le deuxième chiffre caractéristique 9, à l'aide d'une buse de pulvérisation.....	83
14.3	Conditions d'acceptation.....	84
15	Essais pour la protection contre l'accès aux parties dangereuses indiquée par la lettre additionnelle.....	84
15.1	Calibres d'accessibilité.....	84
15.2	Conditions d'essai.....	84
15.3	Conditions d'acceptation.....	84
	Annexe A (informative) Exemples de codification IP pour la vérification de la protection de matériel à basse tension contre l'accès aux parties dangereuses.....	95
	Annexe B (informative) Récapitulation des responsabilités des comités d'études concernés.....	101
	Bibliographie.....	103
	Figure 1 – Doigt d'épreuve articulé.....	86
	Figure 2 – Appareil pour la vérification de la protection contre la poussière (chambre à poussière).....	87
	Figure 3 – Appareil pour la vérification de la protection contre les gouttes d'eau tombant verticalement (boîte à gouttes).	88
	Figure 4 – Appareil pour la vérification de la protection contre l'eau tombant en pluie et contre les projections d'eau: deuxièmes chiffres caractéristiques 3 et 4 (tube oscillant).....	89

Figure 5 – Appareil portatif pour la vérification de la protection contre l'eau tombant en pluie et contre les projections d'eau; deuxièmes chiffres caractéristiques 3 et 4 (pompe d'arrosage)	90
Figure 6 – Appareil pour la vérification de la protection contre les jets d'eau (buse).....	90
Figure 7 – Dimensions de la buse à jet plat.....	91
Figure 8 – Dimensions résultantes du trou de pulvérisation de la buse à jet plat à des fins de vérification	91
Figure 9 – Exemples de buse à jet plat	92
Figure 10 – Montage pour mesurer la force d'impact du jet d'eau en vue de déterminer la protection contre les effets du nettoyage par jet d'eau à haute pression et haute température, degré de protection contre la pénétration d'eau IP X9	93
Figure 11 – Répartition de la force d'impact.....	93
Figure 12 – Dispositif d'essai en vue de vérifier la protection contre un jet d'eau haute pression et haute température concernant les petites enveloppes.....	94
Tableau 1 – Degrés de protection contre l'accès aux parties dangereuses indiqués par le premier chiffre caractéristique.....	65
Tableau 2 – Degrés de protection contre les corps solides étrangers indiqués par le premier chiffre caractéristique.....	66
Tableau 3 – Degrés de protection contre la pénétration de l'eau indiqués par le deuxième chiffre caractéristique	67
Tableau 4 – Degrés de protection contre l'accès aux parties dangereuses indiqués par la lettre additionnelle	69
Tableau 5 – Conditions d'essai pour les degrés de protection indiqués par le premier chiffre caractéristique	72
Tableau 6 – Calibres d'accessibilité pour les essais de la protection contre l'accès aux parties dangereuses.....	74
Tableau 7 – Moyens d'essai pour les essais de protection contre la pénétration des corps solides étrangers	76
Tableau 8 – Moyens et principales conditions d'essai pour la protection contre la pénétration de l'eau	79
Tableau 9 – Débit d'eau total q_V pour les conditions d'essai IPX3 et IPX4 – Débit moyen par trou $q_{V1} = 0,07$ l/min.....	82
Codes IP des exemples de l'annexe A	100

COMMISSION ÉLECTROTECHNIQUE INTERNATIONALE

DEGRÉS DE PROTECTION PROCURÉS PAR LES ENVELOPPES (Code IP)

AVANT-PROPOS

- 1) La Commission Electrotechnique Internationale (CEI) est une organisation mondiale de normalisation composée de l'ensemble des comités électrotechniques nationaux (Comités nationaux de la CEI). La CEI a pour objet de favoriser la coopération internationale pour toutes les questions de normalisation dans les domaines de l'électricité et de l'électronique. A cet effet, la CEI – entre autres activités – publie des Normes internationales, des Spécifications techniques, des Rapports techniques, des Spécifications accessibles au public (PAS) et des Guides (ci-après dénommés "Publication(s) de la CEI"). Leur élaboration est confiée à des comités d'études, aux travaux desquels tout Comité national intéressé par le sujet traité peut participer. Les organisations internationales, gouvernementales et non gouvernementales, en liaison avec la CEI, participent également aux travaux. La CEI collabore étroitement avec l'Organisation Internationale de Normalisation (ISO), selon des conditions fixées par accord entre les deux organisations.
- 2) Les décisions ou accords officiels de la CEI concernant les questions techniques représentent, dans la mesure du possible, un accord international sur les sujets étudiés, étant donné que les Comités nationaux de la CEI intéressés sont représentés dans chaque comité d'études.
- 3) Les Publications de la CEI se présentent sous la forme de recommandations internationales et sont agréées comme telles par les Comités nationaux de la CEI. Tous les efforts raisonnables sont entrepris afin que la CEI s'assure de l'exactitude du contenu technique de ses publications; la CEI ne peut pas être tenue responsable de l'éventuelle mauvaise utilisation ou interprétation qui en est faite par un quelconque utilisateur final.
- 4) Dans le but d'encourager l'uniformité internationale, les Comités nationaux de la CEI s'engagent, dans toute la mesure possible, à appliquer de façon transparente les Publications de la CEI dans leurs publications nationales et régionales. Toutes divergences entre toutes Publications de la CEI et toutes publications nationales ou régionales correspondantes doivent être indiquées en termes clairs dans ces dernières.
- 5) La CEI elle-même ne fournit aucune attestation de conformité. Des organismes de certification indépendants fournissent des services d'évaluation de conformité et, dans certains secteurs, accèdent aux marques de conformité de la CEI. La CEI n'est responsable d'aucun des services effectués par les organismes de certification indépendants.
- 6) Tous les utilisateurs doivent s'assurer qu'ils sont en possession de la dernière édition de cette publication.
- 7) Aucune responsabilité ne doit être imputée à la CEI, à ses administrateurs, employés, auxiliaires ou mandataires, y compris ses experts particuliers et les membres de ses comités d'études et des Comités nationaux de la CEI, pour tout préjudice causé en cas de dommages corporels et matériels, ou de tout autre dommage de quelque nature que ce soit, directe ou indirecte, ou pour supporter les coûts (y compris les frais de justice) et les dépenses découlant de la publication ou de l'utilisation de cette Publication de la CEI ou de toute autre Publication de la CEI, ou au crédit qui lui est accordé.
- 8) L'attention est attirée sur les références normatives citées dans cette publication. L'utilisation de publications référencées est obligatoire pour une application correcte de la présente publication.
- 9) L'attention est attirée sur le fait que certains des éléments de la présente Publication de la CEI peuvent faire l'objet de droits de propriété intellectuelle ou de droits analogues. La CEI ne saurait être tenue pour responsable de ne pas avoir identifié de tels droits de propriété et de ne pas avoir signalé leur existence.

Cette version consolidée de la CEI 60529 porte le numéro d'édition 2.1. Elle comprend la deuxième édition (1989) [documents 70(CO)13 + 70(CO)15 and 70(CO)16 + 70(CO)17], son corrigendum 1 (2003), son corrigendum 2 (2007), son corrigendum 3 (2009), son amendement 1 (1999) [documents 70/91/FDIS and 70/92/RVD] et son amendement 2 [documents 70/122/FDIS and 70/123/RVD]. Le contenu technique est identique à celui de l'édition de base et à ses amendements.

Cette version Finale ne montre pas les modifications apportées au contenu technique par les amendements 1 et 2. Une version Redline montrant toutes les modifications est disponible dans cette publication.

Cette publication a été préparée par commodité pour l'utilisateur.

La Norme internationale CEI 60529 a été établie par le comité d'études 70 de la CEI: Degrés de protection procurés par les enveloppes.

Les annexes A et B sont données uniquement à titre d'information.

Cette publication a été rédigée selon les Directives ISO/CEI, Partie 2.

Le comité a décidé que le contenu de la publication de base et de ses amendements ne sera pas modifié avant la date de stabilité indiquée sur le site web de la CEI sous "<http://webstore.iec.ch>" dans les données relatives à la publication recherchée. A cette date, la publication sera

- reconduite,
- supprimée,
- remplacée par une édition révisée, ou
- amendée.

IMPORTANT – Le logo "*colour inside*" qui se trouve sur la page de couverture de cette publication indique qu'elle contient des couleurs qui sont considérées comme utiles à une bonne compréhension de son contenu. Les utilisateurs devraient, par conséquent, imprimer cette publication en utilisant une imprimante couleur.

INTRODUCTION

La présente norme décrit un système de classification des degrés de protection procurés par les enveloppes des matériels électriques. Bien que ce système puisse être utilisé pour la plupart des types de matériel électrique, il n'y a pas lieu de supposer que tous les degrés de protection énumérés s'appliquent à un certain type de matériel. Il convient de consulter le constructeur du matériel afin de définir les degrés de protection disponibles et les parties du matériel auxquelles s'applique le degré de protection indiqué.

L'adoption de ce système de classification, chaque fois que possible, favorisera l'uniformité des méthodes de description de la protection procurée par l'enveloppe et des essais destinés à vérifier les divers degrés de protection. Elle diminuera également le nombre de types de dispositifs d'essai nécessaires pour vérifier une large gamme de produits.

Cette deuxième édition de la CEI 60529 tient compte de l'expérience acquise avec la première édition et clarifie les exigences. Elle contient une extension facultative du Code IP au moyen d'une lettre additionnelle A, B, C ou D, lorsque la protection réelle des personnes contre l'accès aux parties dangereuses est meilleure que celle qui est indiquée par le premier chiffre caractéristique.

En général, les enveloppes portant un Code IP conforme à la première édition seront acceptables pour la même codification selon la présente édition.

INTRODUCTION A L'AMENDEMENT 2

Cet Amendement 2 introduit un nouveau degré de protection IP X9, cependant aucune modification sur les degrés existants n'a été faite.

De ce fait ni tests supplémentaires ni modifications des certificats existants ne sauraient être demandés dans le cas d'enveloppes qui fournissent un code IP différent.

DEGRÉS DE PROTECTION PROCURÉS PAR LES ENVELOPPES (Code IP)

1 Domaine d'application et objet

La présente norme s'applique à la classification des degrés de protection procurés par les enveloppes pour les matériels électriques de tension assignée inférieure ou égale à 72,5 kV.

L'objet de la présente norme est de donner:

- a) *Les définitions* des degrés de protection procurés par les enveloppes des matériels électriques pour ce qui concerne:
 - 1) la protection des personnes contre l'accès aux parties dangereuses à l'intérieur de l'enveloppe;
 - 2) la protection des matériels à l'intérieur de l'enveloppe contre la pénétration de corps solides étrangers;
 - 3) la protection des matériels à l'intérieur de l'enveloppe contre les effets nuisibles dus à la pénétration de l'eau.
- b) *Les désignations* de ces degrés de protection.
- c) *Les prescriptions* pour chaque désignation.
- d) *Les essais* à effectuer pour vérifier que l'enveloppe satisfait aux prescriptions ci-dessus.

Chaque comité d'études conserve la responsabilité de fixer dans ses normes la manière d'utiliser la classification et les limites de celle-ci, et de définir ce qui constitue «l'enveloppe» du matériel intéressé. Il est cependant recommandé que, pour une classification donnée, les essais ne diffèrent pas de ceux qui sont spécifiés dans la présente norme. Si nécessaire, des prescriptions complémentaires peuvent être introduites dans la norme de produit particulière. Un guide relatif aux détails à spécifier dans les normes particulières de produit est donné en annexe B.

Un comité d'études peut spécifier des exigences différentes pour un matériel particulier à condition qu'elles procurent un degré de sécurité au moins aussi bon.

La présente norme ne s'applique qu'aux enveloppes qui conviennent à tous autres égards à l'utilisation prévue dans la norme particulière de produit, et qui, du point de vue des matériaux et de la construction, garantissent que les degrés de protection déclarés demeurent inchangés dans les conditions normales d'utilisation.

La présente norme est également applicable aux enveloppes vides pourvu que les prescriptions d'essais soient satisfaites et que le degré de protection choisi soit approprié au type de matériel à protéger.

Les mesures à prendre pour protéger à la fois l'enveloppe et le matériel à l'intérieur de l'enveloppe contre les influences ou conditions externes telles que:

- impacts mécaniques
- corrosion
- solvants corrosifs (par exemple liquides de coupe)
- champignons
- vermine
- radiation solaire
- glace
- humidité (par exemple produite par la condensation)
- atmosphères explosives

et la protection contre les contacts avec les parties dangereuses en mouvement externes à l'enveloppe (telles que les ventilateurs), relèvent de la norme de produit particulière à protéger.

Les barrières extérieures à l'enveloppe et non solidaires de celle-ci et les obstacles qui ont été prévus pour la seule sécurité du personnel ne sont pas considérés comme faisant partie de l'enveloppe et ne sont pas traités dans la présente norme.

2 Références normatives

Les documents de référence suivants sont indispensables pour l'application du présent document. Pour les références datées, seule l'édition citée s'applique. Pour les références non datées, la dernière édition du document de référence s'applique (y compris les éventuels amendements).

CEI 60050-195:1998, *Vocabulaire Electrotechnique International (VEI) – Partie 195: Mise à la terre et protection contre les chocs électriques*

CEI 60050(826):1982, *Vocabulaire Electrotechnique International (VEI) – Chapitre 826: Installations électriques des bâtiments*

CEI 60068-1:1988, *Essais d'environnement – Partie 1: Généralités et guide*

CEI 60068-2-68:1994, *Essais d'environnement – Partie 2: Essais – Essai L: Poussière et sable*

CEI 60071-2:1996, *Coordination de l'isolement – Partie 2: Guide d'application*

3 Définitions

Au sens de la présente norme, les définitions suivantes sont applicables:

3.1 enveloppe

élément assurant la protection des matériels contre certaines influences externes et, dans toutes les directions, la protection contre les contacts directs [VEI 826-03-12]*.

NOTE Dans le cadre de la présente norme, cette définition tirée du Vocabulaire Electrotechnique International (VEI) existant nécessite les explications suivantes:

- 1) Les enveloppes assurent la protection des personnes et des animaux contre l'accès aux parties dangereuses.
- 2) Les barrières, formes d'ouverture ou tous autres moyens – qu'ils soient solidaires de l'enveloppe ou formés par le matériel interne – appropriés pour empêcher ou limiter la pénétration des calibres d'essai spécifiés sont considérés comme une partie de l'enveloppe, sauf s'il est possible de les enlever sans l'aide d'une clef ou d'un outil.

3.2 contact direct

contact de personnes ou d'animaux domestiques ou d'élevage avec des parties actives [VEI 826-03-05]

NOTE Cette définition du VEI est donnée à titre indicatif. Dans la présente norme, «contact direct» est remplacé par «accès aux parties dangereuses».

3.3 degré de protection

niveau de protection procuré par une enveloppe contre l'accès aux parties dangereuses, contre la pénétration de corps solides étrangers et/ou contre la pénétration de l'eau et vérifié par des méthodes d'essai normalisées

* CEI 60050(826).

3.4

Code IP

système de codification pour indiquer les degrés de protection procurés par une enveloppe contre l'accès aux parties dangereuses, la pénétration de corps solides étrangers, la pénétration de l'eau et pour donner une information additionnelle liée à une telle protection

3.5

partie dangereuse

partie qu'il est dangereux d'approcher ou de toucher

3.5.1

partie active dangereuse

partie active qui peut provoquer, dans certaines conditions d'influences externes, un choc électrique (voir la CEI 60050-195, 195-06-05)

3.5.2

partie mécanique dangereuse

partie mobile, autre qu'un arbre lisse en rotation, qu'il est dangereux de toucher

3.6

protection procurée par une enveloppe contre l'accès aux parties dangereuses

protection des personnes contre

- le contact avec des parties actives à basse tension dangereuses
- le contact avec des parties mécaniques dangereuses
- l'approche de parties actives à haute tension dangereuses à moins de la distance suffisante à l'intérieur de l'enveloppe

NOTE Cette protection peut être procurée

- au moyen de l'enveloppe elle-même,
- au moyen de barrières faisant partie de l'enveloppe ou de distances internes à l'enveloppe.

3.7

distance suffisante pour la protection contre l'accès aux parties dangereuses

distance empêchant qu'un calibre d'accessibilité touche ou approche les parties dangereuses

3.8

calibre d'accessibilité

calibre d'essai simulant de manière conventionnelle une partie d'une personne ou d'un outil, ou analogue, tenu par une personne afin de vérifier la distance suffisante des parties dangereuses

3.9

calibre-objet

calibre d'essai simulant un corps solide étranger, afin de vérifier la possibilité de pénétration dans une enveloppe

3.10

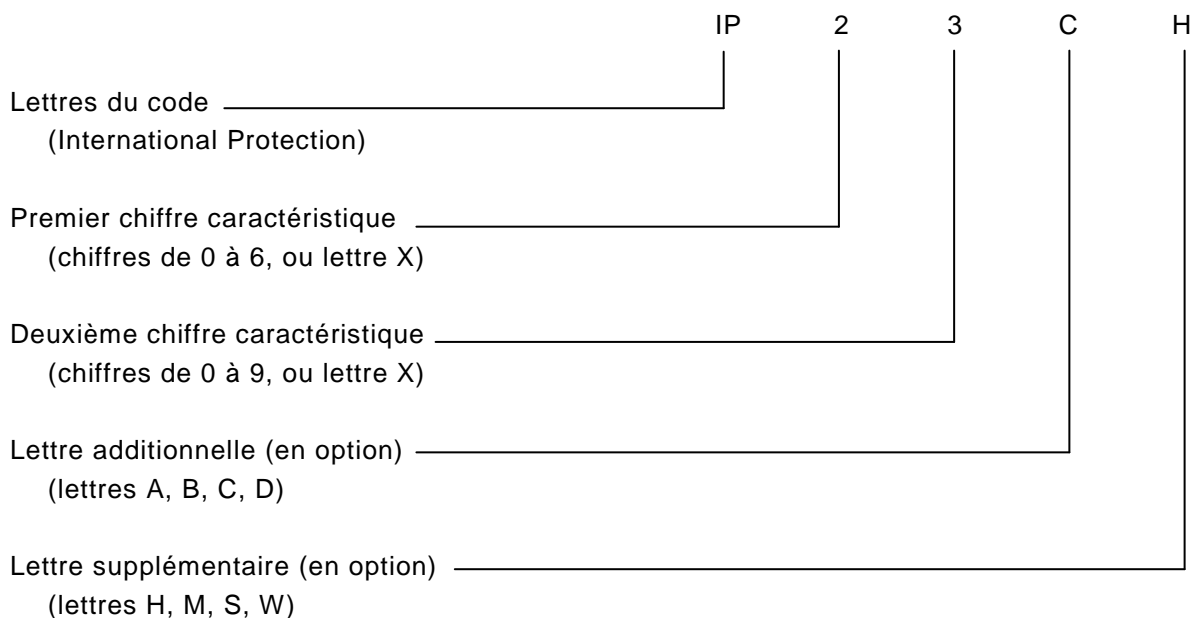
ouverture

interstice ou orifice dans une enveloppe qui existe ou peut être créé par l'application d'un calibre d'essai à la force spécifiée

4 Désignations

Le degré de protection procuré par une enveloppe est indiqué par le Code IP de la manière suivante:

4.1 Disposition du Code IP



S'il n'est pas exigé de spécifier un chiffre caractéristique, celui-ci doit être remplacé par la lettre «X» (ou «XX» si les deux chiffres sont omis).

Les lettres additionnelles et/ou les lettres supplémentaires peuvent être omises sans remplacement.

Si plus d'une lettre supplémentaire est utilisée, l'ordre alphabétique s'applique.

Si une enveloppe procure différents degrés de protection pour différentes dispositions de montage prévues, les degrés de protection correspondants doivent être indiqués par le constructeur dans les instructions relatives à chaque disposition de montage.

Les détails du marquage d'une enveloppe sont donnés à l'article 10.

4.2 Eléments du Code IP et leurs significations

Une description abrégée des éléments du Code IP est donnée dans le tableau suivant. Les détails complets sont spécifiés aux articles indiqués dans la dernière colonne.

Élément	Chiffres ou lettres	Signification pour la protection du matériel	Signification pour la protection des personnes	Réf.
Code letters	IP	–	–	–
Premier chiffre caractéristique	0 1 2 3 4 5 6	Contre la pénétration de corps solides étrangers (non protégé) de diamètre ≥ 50 mm de diamètre ≥ 12,5 mm de diamètre ≥ 2,5 mm de diamètre ≥ 1,0 mm protégé contre la poussière étanche à la poussière	Contre l'accès aux parties dangereuses avec: (non protégé) dos de la main doigt outil fil fil fil	Art. 5
Deuxième chiffre caractéristique	0 1 2 3 4 5 6 7 8 9	Contre la pénétration de l'eau avec effets nuisibles (non protégé) Gouttes d'eau verticales Gouttes d'eau (15° d'inclinaison) Pluie Projection d'eau Projection à la lance Projection puissante à la lance Immersion temporaire Immersion prolongée Jet d'eau haute pression et haute température	–	Art. 6
Lettre additionnelle (en option)	A B C D	–	Contre l'accès aux parties dangereuses avec: dos de la main doigt outil fil	Art. 7
Lettre supplémentaire (en option)	H M S W	Information supplémentaire spécifique à: Matériel à haute tension Mouvement pendant l'essai à l'eau Stationnaire pendant l'essai à l'eau Intempéries	–	Art. 8

4.3 Exemples d'utilisation des lettres dans le Code IP

Les exemples suivants ont pour objet d'expliquer l'utilisation et la disposition des lettres dans le Code IP.

Pour des exemples plus explicites, voir l'article 9.

- IP44 – pas de lettre, pas d'option;
- IPX5 – omission du premier chiffre caractéristique;
- IP2X – omission du deuxième chiffre caractéristique;
- IP20C – utilisation d'une lettre additionnelle;
- IPXXC – omission des deux chiffres caractéristiques, utilisation d'une lettre additionnelle;
- IPX1C – omission du premier chiffre caractéristique, utilisation d'une lettre additionnelle;
- IP3XD – omission du deuxième chiffre caractéristique, utilisation d'une lettre additionnelle;
- IP23S – utilisation d'une lettre supplémentaire;

IP21CM – utilisation d'une lettre additionnelle et d'une lettre supplémentaire;

IPX5/IPX7/IPX9 – donnant pour une enveloppe trois degrés de protection contre les jets d'eau, l'immersion temporaire et les jets d'eau chaude à haute pression pour une application multiple.

5 Degrés de protection contre l'accès aux parties dangereuses et contre la pénétration de corps solides étrangers, indiqués par le premier chiffre caractéristique

La désignation par un premier chiffre caractéristique implique la satisfaction aux deux conditions données en 5.1 et 5.2.

Le premier chiffre caractéristique indique que l'enveloppe procure:

- une protection des personnes contre l'accès aux parties dangereuses en empêchant ou en limitant la pénétration d'une partie du corps humain ou d'un objet tenu par une personne;

et en même temps

- une protection des matériels qu'elle contient contre la pénétration de corps solides étrangers.

Une enveloppe ne peut être désignée par un degré de protection donné, indiqué par le premier chiffre caractéristique, que si elle satisfait aussi à tous les degrés de protection inférieurs.

Cependant, il n'est pas nécessaire d'effectuer les essais établissant la conformité à l'un quelconque des degrés de protection inférieurs s'il est évident que ces essais seraient satisfaits.

5.1 Protection contre l'accès aux parties dangereuses

Le tableau 1 donne des descriptions abrégées et des définitions des degrés de protection contre l'accès aux parties dangereuses.

Les degrés de protection énumérés dans ce tableau doivent être spécifiés au seul moyen du premier chiffre caractéristique et non par référence à la description abrégée ou à la définition.

Pour satisfaire aux conditions du premier chiffre caractéristique, une distance suffisante doit être gardée entre le calibre d'accessibilité et les parties dangereuses.

Les essais sont spécifiés à l'article 12.

Tableau 1 – Degrés de protection contre l'accès aux parties dangereuses indiqués par le premier chiffre caractéristique

Premier chiffre caractéristique	Degré de protection		Conditions d'essai, voir
	Description abrégée	Définition	
0	Non protégé	–	–
1	Protégé contre l'accès aux parties dangereuses avec le dos de la main	Le calibre d'accessibilité, sphère de 50 mm de diamètre, doit rester à distance suffisante des parties dangereuses	12.2
2	Protégé contre l'accès aux parties dangereuses avec un doigt	Le doigt d'essai articulé de 12 mm de diamètre et de 80 mm de long doit rester à distance suffisante des parties dangereuses	12.2
3	Protégé contre l'accès aux parties dangereuses avec un outil	Le calibre d'accessibilité de 2,5 mm de diamètre ne doit pas pénétrer	12.2
4	Protégé contre l'accès aux parties dangereuses avec un fil	Le calibre d'accessibilité de 1,0 mm de diamètre ne doit pas pénétrer	12.2
5	Protégé contre l'accès aux parties dangereuses avec un fil	Le calibre d'accessibilité de 1,0 mm de diamètre ne doit pas pénétrer	12.2
6	Protégé contre l'accès aux parties dangereuses avec un fil	Le calibre d'accessibilité de 1,0 mm de diamètre ne doit pas pénétrer	12.2

NOTE Dans les cas des premiers chiffres caractéristiques 3, 4, 5 et 6, la protection contre l'accès aux parties dangereuses est satisfaite si une distance suffisante est maintenue. Il convient que la distance suffisante soit spécifiée par le comité de produit concerné, en accord avec 12.3.

L'expression «ne doit pas pénétrer» est donnée dans le tableau 1 à cause de l'exigence simultanée du tableau 2.

5.2 Protection contre les corps solides étrangers

Le tableau 2 donne des descriptions sommaires et des définitions des degrés de protection contre la pénétration de corps solides étrangers, y compris la poussière.

Les degrés de protection énumérés dans le tableau doivent être spécifiés au seul moyen du premier chiffre caractéristique et non par référence à leur description abrégée ou à leur définition.

La protection contre la pénétration de corps solides étrangers implique que les calibres-objets donnés par le tableau 2 jusqu'au chiffre 2 inclus ne pénètrent pas complètement dans l'enveloppe. Cela signifie que le diamètre de la sphère ne doit pas passer à travers une ouverture de l'enveloppe. Les calibres-objets qui correspondent aux chiffres 3 et 4 ne doivent pas pénétrer du tout.

Les enveloppes protégées contre la poussière selon le chiffre 5 permettent dans certaines conditions la pénétration d'une quantité limitée de poussière.

Aucune pénétration de poussière n'est permise dans les enveloppes étanches à la poussière selon le chiffre 6.

NOTE Les enveloppes auxquelles est assigné un premier chiffre caractéristique compris entre 1 et 4 excluent généralement les corps solides étrangers de forme aussi bien régulière qu'irrégulière, pourvu que trois dimensions orthogonales de l'objet soient supérieures à la valeur appropriée de la colonne 3 du tableau 2.

Les essais sont spécifiés à l'article 13.

Tableau 2 – Degrés de protection contre les corps solides étrangers indiqués par le premier chiffre caractéristique

Premier chiffre caractéristique	Degré de protection		Conditions d'essai, voir
	Description abrégée	Définition	
0	Non protégé	–	–
1	Protégé contre les corps solides étrangers de diamètre supérieur ou égal à 50 mm	Le calibre-objet, sphère de 50 mm de diamètre ne doit pas pénétrer complètement ¹⁾	13.2
2	Protégé contre les corps solides étrangers de diamètre supérieur ou égal à 12,5 mm	Le calibre-objet, sphère de 12,5 mm de diamètre ne doit pas pénétrer complètement ¹⁾	13.2
3	Protégé contre les corps solides étrangers de diamètre supérieur ou égal à 2,5 mm	Le calibre-objet de 2,5 mm de diamètre ne doit pas pénétrer du tout ¹⁾	13.2
4	Protégé contre les corps solides étrangers de diamètre supérieur ou égal à 1,0 mm	Le calibre-objet de 1,0 mm de diamètre ne doit pas pénétrer du tout ¹⁾	13.2
5	Protégé contre la poussière	La pénétration de la poussière n'est pas totalement évitée, mais la poussière ne doit pas pénétrer en quantité suffisante pour nuire au bon fonctionnement du matériel ou à la sécurité	13.4 13.5
6	Étanche à la poussière	Pas de pénétration de poussière	13.4 13.6
¹⁾ La plus grande section droite du calibre-objet ne doit pas passer à travers une ouverture de l'enveloppe.			

6 Degrés de protection contre la pénétration de l'eau indiqués par le deuxième chiffre caractéristique

Le deuxième chiffre caractéristique indique le degré de protection procuré par les enveloppes contre les effets nuisibles sur le matériel dus à la pénétration de l'eau.

Les essais pour le deuxième chiffre caractéristique sont effectués à l'aide d'eau douce. La présente protection peut ne pas être satisfaite si les opérations de nettoyage à l'aide d'eau à haute pression et haute température sont en dehors des exigences du deuxième chiffre caractéristique 9 et/ou si des solvants sont utilisés.

Le tableau 3 donne des descriptions abrégées et des définitions de la protection pour chaque degré représenté par le deuxième chiffre caractéristique.

Les degrés de protection énumérés dans ce tableau doivent être spécifiés au seul moyen du deuxième chiffre caractéristique et non par référence à la description abrégée ou à la définition.

Les essais correspondants sont spécifiés à l'article 14.

Jusqu'au deuxième chiffre 6 inclus, la désignation implique aussi la conformité aux exigences de tous les chiffres inférieurs. Cependant, il n'est pas nécessaire d'effectuer les essais établissant la conformité avec l'un quelconque des degrés de protection inférieurs s'il est évident que ces essais seraient satisfaits.

Une enveloppe désignée par un deuxième chiffre caractéristique 9 seulement est considérée comme inadéquate pour une exposition aux jets d'eau (désignée par un deuxième chiffre caractéristique 5 ou 6) et une immersion dans l'eau (désignée par un deuxième chiffre caractéristique 7 ou 8) et n'a pas besoin d'être conforme aux exigences des chiffres 5,6, 7 ou 8, à moins d'un double codage comme suit:

L'enveloppe satisfait à l'essai pour:		Désignation et marquage	Domaine d'utilisation
Jets d'eau deuxième chiffre caractéristique	Immersion temporaire/continue deuxième chiffre caractéristique		
5	7	IPX5/IPX7	Multiple
5	8	IPX5/IPX8	Multiple
6	7	IPX6/IPX7	Multiple
6	8	IPX6/IPX8	Multiple
9	7	IPX7/IPX9	Multiple
9	8	IPX8/IPX9	Multiple
5 et 9	7	IPX5/IPX7/IPX9	Multiple
5 et 9	8	IPX5/IPX8/IPX9	Multiple
6 et 9	7	IPX6/IPX7/IPX9	Multiple
6 et 9	8	IPX6/IPX8/IPX9	Versatile
–	7	IPX7	Multiple
–	8	IPX8	Restreint
9	–	IPX9	Restreint
5 et 9	–	IPX5/IPX9	Multiple
6 et 9	–	IPX6/IPX9	Multiple

Les enveloppes d'utilisation «double» indiquée dans la dernière colonne doivent répondre aux exigences de l'exposition aux jets d'eau et de l'immersion temporaire ou prolongée.

Les enveloppes d'utilisation «restreinte» indiquée dans la dernière colonne sont considérées comme adaptées uniquement pour les conditions auxquelles elles ont été soumises à l'essai.

Tableau 3 – Degrés de protection contre la pénétration de l'eau indiqués par le deuxième chiffre caractéristique

Deuxième chiffre caractéristique	Degré de protection		Conditions d'essai, voir
	Description abrégée	Définition	
0	Non protégé	–	–
1	Protégé contre les chutes verticales de gouttes d'eau	Les gouttes tombant verticalement ne doivent pas avoir d'effets nuisibles	14.2.1
2	Protégé contre les chutes verticales de gouttes d'eau avec une enveloppe inclinée au maximum de 15°	Les gouttes tombant verticalement ne doivent pas avoir d'effets nuisibles quand l'enveloppe est inclinée jusqu'à 15° de part et d'autre de la verticale	14.2.2
3	Protégé contre l'eau en pluie	L'eau tombant en pluie fine dans une direction faisant un angle inférieur ou égal à 60° de part et d'autre de la verticale ne doit pas avoir d'effets nuisibles	14.2.3
4	Protégé contre les projections d'eau	L'eau projetée de toutes les directions sur l'enveloppe ne doit pas avoir d'effets nuisibles	14.2.4
5	Protégé contre les jets d'eau	L'eau projetée en jets de toutes les directions sur l'enveloppe ne doit pas avoir d'effets nuisibles	14.2.5
6	Protégé contre les jets d'eau puissants	L'eau projetée en jets puissants de toutes les directions sur l'enveloppe ne	14.2.6

		doit pas avoir d'effets nuisibles	
7	Protégé contre les effets d'une immersion temporaire dans l'eau	La pénétration d'eau en quantités ayant des effets nuisibles ne doit pas être possible à l'intérieur de l'enveloppe immergée temporairement dans l'eau dans des conditions normalisées de pression et de durée	14.2.7
8	Protégé contre les effets d'une immersion prolongée dans l'eau	La pénétration d'eau en quantités ayant des effets nuisibles ne doit pas être possible à l'intérieur de l'enveloppe immergée d'une manière prolongée dans l'eau dans des conditions soumises à accord entre le constructeur et l'utilisateur, mais qui sont plus sévères que pour le chiffre 7	14.2.8
9	Protégé contre les jets d'eau haute pression et haute température	L'eau projetée à haute pression et haute température de toutes les directions sur l'enveloppe ne doit pas avoir d'effets nuisibles	14.2.9

7 Degrés de protection contre l'accès aux parties dangereuses indiqués par la lettre additionnelle

La lettre additionnelle indique le degré de protection des personnes contre l'accès aux parties dangereuses.

Les lettres additionnelles sont utilisées seulement

- si la protection réelle contre l'accès aux parties dangereuses est plus élevée que celle qui est indiquée par le premier chiffre caractéristique
- ou si seule la protection contre l'accès aux parties dangereuses est mentionnée, le premier chiffre caractéristique étant alors remplacé par un X.

Une telle protection plus élevée peut être procurée, par exemple, par la mise en place de barrières, une forme appropriée des ouvertures ou des distances à l'intérieur de l'enveloppe.

Le tableau 4 donne les calibres d'accessibilité considérés conventionnellement comme représentatifs de parties du corps humain ou d'objets tenus par une personne. Ce tableau donne également les définitions des degrés de protection contre l'accès aux parties dangereuses, désignés par les lettres additionnelles.

Une enveloppe ne peut être désignée par un degré de protection indiqué par une lettre additionnelle que si elle satisfait aussi à tous les degrés de protection inférieurs. Cependant, il n'est pas nécessaire d'effectuer les essais établissant la conformité avec l'un quelconque des degrés de protection inférieurs s'il est évident que ces essais seraient satisfaits.

Les essais correspondants sont spécifiés à l'article 15.

Voir l'annexe A pour des exemples de codage IP.

Tableau 4 – Degrés de protection contre l'accès aux parties dangereuses indiqués par la lettre additionnelle

Lettre additionnelle	Degré de protection		Conditions d'essai, voir
	Description abrégée	Définition	
A	Protégé contre l'accès avec le dos de la main	Le calibre d'accessibilité, sphère de 50 mm de diamètre, doit rester à distance suffisante des parties dangereuses	15.2
B	Protégé contre l'accès avec un doigt	Le doigt d'épreuve articulé de 12 mm de diamètre et de 80 mm de longueur doit rester à distance suffisante des parties dangereuses	15.2
C	Protégé contre l'accès avec un outil	Le calibre d'accessibilité de 2,5 mm de diamètre et de 100 mm de longueur doit rester à distance suffisante des parties dangereuses	15.2
D	Protégé contre l'accès avec un fil	Le calibre d'accessibilité de 1,0 mm de diamètre et de 100 mm de longueur doit rester à distance suffisante des parties dangereuses	15.2

8 Lettres supplémentaires

Dans la norme particulière de produit, une information peut être ajoutée au moyen d'une lettre supplémentaire placée après le deuxième chiffre caractéristique ou après la lettre additionnelle.

De tels cas exceptionnels doivent répondre aux exigences de la présente norme fondamentale de sécurité; la norme de produit doit clairement expliciter les conditions supplémentaires à respecter au cours des essais correspondant à une telle classification.

Les lettres cataloguées ci-dessous sont déjà utilisées avec les significations indiquées:

Lettre	Signification
H	Appareil à haute tension
M	Essai de vérification de la protection contre les effets nuisibles dus à la pénétration d'eau, effectué sur le matériel avec ses parties mobiles (par exemple le rotor d'une machine tournante) en mouvement
S	Essai de vérification de la protection contre les effets nuisibles dus à la pénétration d'eau, effectué sur le matériel avec ses parties mobiles (par exemple le rotor d'une machine tournante) stationnaires
W	Matériel conçu de manière à pouvoir être utilisé dans des conditions atmosphériques spécifiées et où des mesures ou procédés complémentaires de protection ont été prévus

NOTE Dans la première édition de la CEI 60529, la lettre «W» ayant la même signification était placée immédiatement après les lettres du Code «IP».

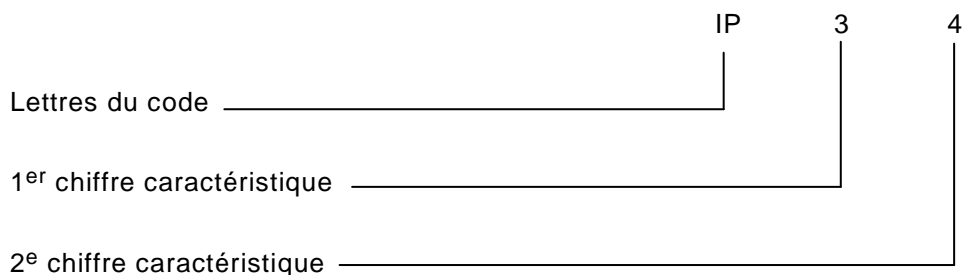
D'autres lettres peuvent être utilisées dans les normes de produit.*

L'absence des lettres S et M implique que le degré de protection ne dépend pas de ce que des parties du matériel sont ou ne sont pas en mouvement. Cela peut rendre nécessaire les essais dans les deux conditions. Cependant, l'essai établissant la conformité avec l'une de ces conditions est généralement suffisant, à condition qu'il soit évident que l'essai dans l'autre condition serait satisfait.

* Il convient, toutefois, que le Secrétariat du comité d'études 70 soit consulté avant que toute nouvelle lettre soit introduite par un autre comité d'études, afin d'éviter toute utilisation en double des lettres supplémentaires.

9 Exemples de désignations avec le Code IP

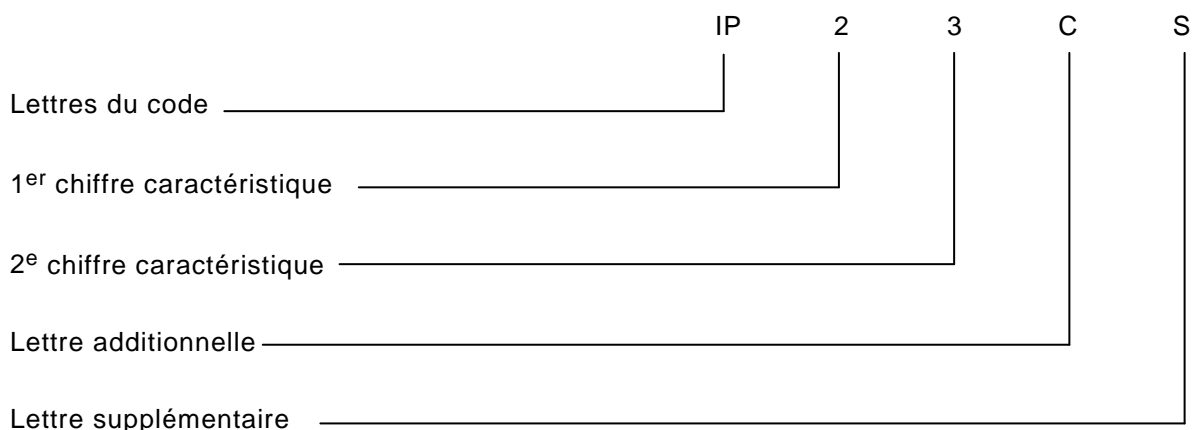
9.1 Code IP n'utilisant pas les lettres en option:



Une enveloppe avec cette désignation (Code IP)

- (3) – protège les personnes contre l'accès aux parties dangereuses lorsqu'elles tiennent à la main des outils de diamètre égal ou supérieur à 2,5 mm;
 - protège les matériels à l'intérieur de l'enveloppe contre la pénétration de corps solides étrangers de diamètre égal ou supérieur à 2,5 mm;
- (4) – protège les matériels à l'intérieur de l'enveloppe contre les effets nuisibles dus aux projections d'eau contre l'enveloppe dans toutes les directions.

9.2 Code IP utilisant les lettres en option:



Une enveloppe avec cette désignation (Code IP)

- (2) – protège les personnes contre l'accès aux parties dangereuses avec leurs doigts;
 - protège les matériels à l'intérieur de l'enveloppe contre la solides étrangers de diamètre égal ou supérieur à 12,5 mm;
- (3) – protège les matériels à l'intérieur de l'enveloppe contre les effets nuisibles dus à l'eau tombant en pluie contre l'enveloppe;
- (C) – protège les personnes contre l'accès aux parties dangereuses lorsqu'elles tiennent à la main des outils de diamètre égal ou supérieur à 2,5 mm et de longueur n'excédant pas 100 mm (l'outil peut pénétrer de toute sa longueur dans l'enveloppe);
- (S) – a subi l'essai pour la protection contre les effets nuisibles dus à la pénétration de l'eau avec toutes les parties du matériel au repos.

10 Marquage

Les prescriptions pour le marquage doivent être spécifiées dans la norme particulière de produit.

Si cela est approprié, il convient qu'une telle norme spécifie également la méthode de marquage qui doit être utilisée lorsque:

- une partie d'une enveloppe a un degré de protection différent de celui d'une autre partie de cette même enveloppe;
- la position de montage a une influence sur le degré de protection;
- la profondeur et la durée maximales d'immersion prolongée sont indiquées.

11 Prescriptions générales d'essai

11.1 Conditions atmosphériques pour les essais à l'eau ou pour les essais à la poussière

Sauf spécification contraire dans la norme particulière de produit, il convient que les essais soient effectués dans les conditions atmosphériques normales décrites dans la CEI 60068-1.

Les conditions atmosphériques recommandées pendant les essais sont les suivantes:

Plage de température:	15 °C to 35 °C
Humidité relative:	25 % to 75 %
Pression de l'air:	de 86 kPa à 106 kPa (de 860 mbar à 1 060 mbar).

11.2 Echantillons pour essais

Les essais spécifiés dans la présente norme sont des essais de type.

Sauf spécification contraire de la norme particulière du produit, les échantillons pour chaque essai doivent être propres et à l'état neuf, avec tous leurs éléments en place et montés conformément aux indications du constructeur.

S'il est impossible de faire l'essai sur le matériel complet, des éléments représentatifs ou du matériel plus petit présentant les mêmes détails de conception qu'en grandeur réelle doivent être essayés.

La norme particulière de produit doit spécifier des détails tels que:

- le nombre d'échantillons à soumettre aux essais;
- les conditions de montage, d'assemblage et la position des échantillons, par exemple en utilisant une surface artificielle (plafond, plancher ou mur);
NOTE Cela s'applique également aux matériels conçus pour être associés à d'autres matériels correspondants, par exemple des composants qui peuvent être utilisés seuls ou dans un ensemble;
- le préconditionnement éventuel à appliquer;
- si l'essai est effectué sous tension ou non;
- si l'essai est effectué avec les parties mobiles en mouvement ou non.

En l'absence de telles spécifications, les instructions du constructeur doivent être appliquées.

11.3 Application des prescriptions et interprétation des résultats d'essai

L'application des prescriptions générales d'essai et les conditions d'acceptation des matériels contenant des trous de vidange ou des orifices de ventilation relèvent de la responsabilité du comité d'études concerné.

En l'absence de telle spécification, la prescription de la présente norme doit être appliquée.

L'interprétation des résultats de l'essai relève de la responsabilité du comité d'études concerné. En l'absence de spécification, les conditions d'acceptation de cette norme doivent au moins être appliquées.

11.4 Combinaison des conditions d'essai pour le premier chiffre caractéristique

La désignation par un premier chiffre caractéristique implique que toutes les conditions d'essai suivantes sont satisfaites pour ce chiffre:

Tableau 5 – Conditions d'essai pour les degrés de protection indiqués par le premier chiffre caractéristique

Premier chiffre caractéristique	Essai pour la protection contre	
	l'accès aux parties dangereuses	les corps solides étrangers
0	Aucun essai demandé	Aucun essai demandé
1	La sphère de 50 mm de diamètre ne doit pas pénétrer complètement et une distance suffisante doit être gardée	
2	Le doigt d'essai articulé peut pénétrer jusqu'à 80 mm mais une distance suffisante pas pénétrer complètement doit être gardée	La sphère de 12,5 mm de diamètre ne doit pas pénétrer complètement
3	La tige d'essai de 2,5 mm de diamètre ne doit pas pénétrer et une distance suffisante doit être gardée	
4	Le fil d'essai de 1,0 mm de diamètre ne doit pas pénétrer et une distance suffisante doit être gardée	
5	Le fil d'essai de 1,0 mm de diamètre ne doit pas pénétrer et une distance suffisante doit être gardée	Etanche à la poussière comme indiqué au tableau 2
6	Le fil d'essai de 1,0 mm de diamètre ne doit pas pénétrer et une distance suffisante doit être gardée	Etanche à la poussière comme indiqué au tableau 2
Dans le cas des premiers chiffres caractéristiques 1 et 2, «ne pas pénétrer complètement» signifie que la plus grande section droite de la sphère ne doit pas passer à travers une ouverture de l'enveloppe.		

11.5 Enveloppes vides

Si l'enveloppe est essayée sans matériel à l'intérieur, les instructions du constructeur de l'enveloppe doivent donner en détail les exigences concernant l'agencement et les distances à respecter pour les parties dangereuses ou pouvant être affectées par la pénétration de corps solides étrangers ou d'eau.

C'est le constructeur final qui doit s'assurer que l'enveloppe, une fois le matériel électrique inclus, satisfait au degré de protection déclaré pour le produit final.

12 Essais pour la protection contre l'accès aux parties dangereuses indiquée par le premier chiffre caractéristique

12.1 Calibres d'accessibilité

Les calibres d'accessibilité pour l'essai de la protection des personnes contre l'accès aux parties dangereuses sont donnés dans le tableau 6.

12.2 Conditions d'essai

Le calibre d'accessibilité est appuyé contre (ou, dans le cas de l'essai du chiffre 2, inséré dans) toute ouverture de l'enveloppe avec la force spécifiée dans le tableau 6.

Pour les essais de matériel à basse tension, il convient qu'une source d'alimentation à basse tension (comprise entre 40 V et 50 V) en série avec une lampe appropriée soit raccordée entre le calibre et les parties dangereuses internes à l'enveloppe. Les parties actives dangereuses recouvertes seulement de vernis ou de peinture, ou protégées par oxydation ou procédé analogue, sont recouvertes d'une feuille métallique reliée électriquement aux parties qui sont normalement sous tension en service.

La méthode du circuit de signalisation convient aussi pour les parties dangereuses en mouvement d'un matériel à haute tension.

Il est permis de manœuvrer lentement les parties mobiles internes, lorsque cela est possible.

Tableau 6 – Calibres d’accessibilité pour les essais de la protection contre l’accès aux parties dangereuses

Premier chiffre	Lettre additionnelle	Sonde d’approche	Force pour l’essai
1	A	<p>Sphère de 50 mm de diamètre</p> <p>Manche (Isolant) Garde (Isolant) Sphère rigide d’essai (Métal)</p> <p>IEC 273/01</p>	50 N ± 10 %
2	B	<p>Doigt d’épreuve articulé</p> <p>Voir figure 1 pour toutes les dimensions</p> <p>Isolant Doigt d’épreuve articulé (Métal)</p> <p>IEC 274/01</p>	10 N ± 10 %
3	C	<p>Tige d’essai de 2,5 mm de diamètre et 100 mm de long</p> <p>Manche (Isolant) Face d’arrêt (Isolant) Tige rigide d’essai (Métal) Extrémité ébavurée</p> <p>IEC 275/01</p>	3 N ± 10 %
4, 5, 6	D	<p>Fil d’essai de 1,0 mm de diamètre et 100 mm de long</p> <p>Manche (Isolant) Face d’arrêt (Isolant) Fil rigide d’essai (Métal) Extrémité ébavurée</p> <p>IEC 276/01</p>	1 N ± 10 %

12.3 Conditions d'acceptation

La protection est satisfaisante si une distance suffisante est gardée entre le calibre d'accessibilité et les parties dangereuses.

Pour l'essai du premier chiffre caractéristique 1, le calibre d'accessibilité de 50 mm de diamètre ne doit pas passer complètement à travers l'ouverture.

Pour l'essai du premier chiffre caractéristique 2, la longueur de 80 mm du doigt d'essai articulé peut pénétrer, mais la plaque d'arrêt (\varnothing 50 mm \times 20 mm) ne doit pas passer à travers l'ouverture. A partir de la position complètement droite, chaque articulation du doigt d'épreuve doit être successivement pliée jusqu'à faire un angle de 90° avec l'axe de la partie adjacente du doigt et doit être mise dans toutes les positions possibles.

Voir annexe A pour plus d'explications.

Distance suffisante signifie:

12.3.1 Pour le matériel à basse tension (pour les tensions assignées ne dépassant pas 1 000 V en courant alternatif et 1 500 V en courant continu)

Le calibre d'accessibilité ne doit pas toucher les parties actives dangereuses.

Si on vérifie la distance suffisante à l'aide d'un circuit de signalisation entre le calibre et les parties dangereuses, la lampe doit rester éteinte.

NOTE L'attention des comités d'études concernés est attirée sur le fait que, pour certains matériels électriques, la tension maximale interne (valeur efficace ou valeur en courant continu de la tension locale) est plus élevée que la tension assignée du matériel. Il convient de prendre en compte cette tension maximale pour déterminer la tension d'essai diélectrique et la distance suffisante.

12.3.2 Pour le matériel à haute tension (pour les tensions assignées dépassant 1 000 V en courant alternatif et 1 500 V en courant continu)

Le matériel doit pouvoir satisfaire aux essais diélectriques spécifiés dans la norme qui lui est applicable, lorsque le calibre d'accessibilité est placé dans la (les) position(s) la (les) plus défavorable(s).

La vérification peut être faite soit par l'essai diélectrique, soit par le contrôle de la distance dans l'air spécifiée assurant que ces essais seraient satisfaits dans les configurations donnant les champs électriques les plus défavorables (voir CEI 60071-2).

En cas d'enveloppe comprenant des éléments à des niveaux de tension différents, les conditions appropriées d'acceptation des distances suffisantes doivent être appliquées à chaque élément.

NOTE L'attention des comités d'études concernés est attirée sur le fait que, pour certains matériels électriques, la tension maximale interne (valeur efficace ou valeur en courant continu de la tension locale) est plus élevée que la tension assignée du matériel. Il convient de prendre en compte cette tension maximale pour déterminer la tension d'essai diélectrique et la distance suffisante.

12.3.3 Pour les matériels comportant des parties mécaniques dangereuses:

Le calibre d'accessibilité ne doit pas toucher les parties mécaniques dangereuses.

Si on vérifie la distance suffisante à l'aide d'un circuit de signalisation entre le calibre et les parties dangereuses, la lampe doit rester éteinte.

13 Essais pour la protection contre la pénétration de corps solides étrangers indiquée par le premier chiffre caractéristique

13.1 Moyens d'essai

Les moyens et les principales conditions d'essais sont donnés dans le tableau 7.

Tableau 7 – Moyens d'essai pour les essais de protection contre la pénétration des corps solides étrangers

Premier chiffre caractéristique	Moyens d'essai (calibres-objets et chambre à poussière)	Force pour l'essai	Conditions d'essai, voir
0	Aucun essai n'est exigé	–	–
1	Sphère rigide sans manche ni garde, de $50^{+0,05}_0$ mm de diamètre	50 N ± 10 %	13.2
2	Sphère rigide sans manche ni garde, de $12,5^{+0,2}_0$ mm de diamètre	30 N ± 10 %	13.2
3	Tige rigide en acier de $2,5^{+0,05}_0$ mm de diamètre à extrémité ébavurée	3 N ± 10 %	13.2
4	Tige rigide en acier de $1,0^{+0,05}_0$ mm de diamètre à extrémité ébavurée	1 N ± 10 %	13.2
5	Chambre à poussière de la figure 2, avec ou sans dépression	–	13.4 + 13.5
6	Chambre à poussière de la figure 2, avec dépression	–	13.4 + 13.6

13.2 Conditions d'essai pour les premiers chiffres caractéristiques 1, 2, 3, 4

Le calibre-objet est appuyé contre toute ouverture de l'enveloppe avec la force spécifiée dans le tableau 7.

13.3 Conditions d'acceptation pour les premiers chiffres caractéristiques 1, 2, 3, 4

La protection est satisfaisante si la plus grande section du calibre spécifié dans le tableau 7 ne passe par aucune ouverture.

NOTE Pour les premiers chiffres caractéristiques 3 et 4, les calibres spécifiés dans le tableau 7 sont destinés à simuler des corps étrangers qui peuvent être sphériques. Lorsqu'une enveloppe présente un chemin de pénétration indirect ou tortueux, et que l'on a un doute concernant la pénétration, d'un objet sphérique capable de se mouvoir, il peut être nécessaire d'en examiner le dessin ou de faire un passage spécial qui permette d'appliquer le calibre, avec la force requise, à l'ouverture où l'on veut vérifier la pénétration.

13.4 Essai à la poussière pour les premiers chiffres caractéristiques 5 et 6

L'essai est effectué à l'aide d'une chambre à poussière mettant en œuvre les principes fondamentaux présentés à la figure 2 dans laquelle la pompe peut être remplacée par d'autres moyens permettant de maintenir la poudre de talc en suspension dans une chambre d'essai fermée. La poudre de talc utilisée doit pouvoir passer à travers un tamis à mailles carrées dont le diamètre nominal des fils est de 50 µm et l'espace libre entre les fils de 75 µm. La masse de talc à employer est de 2 kg par mètre cube de la chambre d'essai. Le talc ne doit pas être utilisé pour plus de 20 essais.

NOTE Il convient de prendre en compte les règlements concernant la santé et la sécurité pour le choix du type de poudre de talc et son utilisation.

Les enveloppes sont nécessairement de l'une des deux catégories:

Catégorie 1: Enveloppes dans lesquelles le cycle normal de fonctionnement du matériel entraîne des réductions de la pression interne par rapport à l'air environnant, par exemple dues aux effets de cycles thermiques.

Catégorie 2: Enveloppes dans lesquelles il n'y a pas de différence de pression par rapport à l'air environnant.

Enveloppes de catégorie 1:

L'enveloppe à l'essai est placée à l'intérieur de la chambre d'essai et la pression interne à l'enveloppe est abaissée en dessous de la pression atmosphérique à l'aide d'une pompe à vide. Le raccordement de la pompe doit être fait par un trou percé spécialement pour cet essai. Sauf spécification différente dans la norme du produit concerné, ce trou est à proximité des parties vulnérables.

S'il n'est pas pratique de faire un trou spécial, la pompe est raccordée au trou d'entrée des câbles. S'il y a d'autres trous (par exemple d'autres trous d'entrée de câble ou des trous de vidange), ils sont traités comme pour leur utilisation en service.

Le but de l'essai est de faire passer dans l'enveloppe, au moyen d'une dépression, un volume d'air égal à 80 fois le volume de l'enveloppe à l'essai sans renouveler le volume plus de 60 fois par heure. En aucun cas la dépression ne doit dépasser 2 kPa (20 mbar) au manomètre représenté à la figure 2.

Si le renouvellement de l'air se fait de 40 à 60 fois par heure, l'essai dure 2 h

Si le renouvellement de l'air se fait moins de 40 fois par heure avec une dépression maximale de 2 kPa (20 mbar), l'essai se poursuit jusqu'à ce que l'air ait été renouvelé 80 fois ou que l'essai ait duré 8 h.

Enveloppes de catégorie 2:

L'enveloppe à l'essai est placée à l'intérieur de la chambre d'essai dans sa position normale de fonctionnement mais n'est pas raccordée à une pompe à vide. Tout trou de vidange normalement ouvert doit rester ouvert pendant l'essai. L'essai dure 8 h.

Enveloppes de catégories 1 et 2:

S'il est impossible d'essayer l'enveloppe complète dans la chambre d'essai, l'un des procédés suivants est utilisé:

- essai des parties de l'enveloppe individuellement fermées;
- essai des parties représentatives de l'enveloppe comportant des éléments tels que portes, orifices de ventilation, joints, paliers, etc., en place lors de l'essai;
- essai d'enveloppe plus petite comportant les mêmes détails de conception à pleine échelle.

Dans les deux derniers cas, le volume d'air à faire passer à travers l'enveloppe à l'essai est le même que pour l'enveloppe complète à pleine échelle.

13.5 Conditions spéciales pour le premier chiffre caractéristique 5

13.5.1 Conditions d'essai pour le premier chiffre caractéristique 5

L'enveloppe est supposée être de la catégorie 1, sauf si la norme particulière de produit spécifie qu'elle est de catégorie 2.

13.5.2 Conditions d'acceptation pour le premier chiffre caractéristique 5

La protection est satisfaisante si l'examen montre que la poudre de talc ne s'est pas accumulée en quantité telle ou à un emplacement tel que, comme pour tout autre type de poussière, le fonctionnement correct du matériel ou la sécurité pourraient en être affectés. Sauf pour les cas spéciaux clairement définis par les normes particulières de produit, la poussière ne doit pas se déposer là où elle pourrait produire un cheminement le long des lignes de fuite.

13.6 Conditions spéciales pour le premier chiffre caractéristique 6

13.6.1 Conditions d'essai pour le premier chiffre caractéristique 6

L'enveloppe est supposée être de la catégorie 1, qu'il y ait ou non des réductions de pression interne par rapport à l'atmosphère.

13.6.2 Conditions d'acceptation pour le premier chiffre caractéristique 6

La protection est satisfaisante si, à la fin de l'essai, on n'observe pas de dépôt de poussière à l'intérieur de l'enveloppe.

14 Essais pour la protection contre la pénétration de l'eau indiquée par le deuxième chiffre caractéristique

14.1 Moyens d'essai

Les moyens et les principales conditions d'essai sont donnés dans le tableau 8.

Tableau 8 – Moyens et principales conditions d’essai pour la protection contre la pénétration de l’eau

Deuxième chiffre caractéristique	Moyens d’essai	Débit d’eau	Durée de l’essai	Conditions d’essai, voir
0	Pas d’essai prescrit	–	–	–
1	Boîte à gouttes Figure 3 Enveloppe placée sur une table tournante	$1^{+0,5}_0$ mm/min	10 min	14.2.1
2	Boîte à gouttes Figure 3 Enveloppe placée dans 4 positions fixes avec une inclinaison de 15°	$3^{+0,5}_0$ mm/min	2,5 min dans chacune des positions inclinées	14.2.2
3	Tube oscillant Figure 4 Arrosage à ± 60° par rapport à la verticale, distance max. 200 mm ou Pomme d’arrosoir Figure 5 Arrosage à ± 60° par rapport à la verticale	0,07 l/min ± 5 % par trou, multiplié par le nombre de trous	10 min	14.2.3 a)
		10 l/min ± 5 %	1 min/m ² pendant au moins 5 min	14.2.3 b)
4	Identique au chiffre 3, mais arrosage à ± 180° par rapport à la verticale	As for numeral 3		14.2.4
5	Jet d’eau Figure 6 Buse de 6,3 mm de diamètre distance 2,5 m à 3 m	12,5 l/min ± 5 %	1 min/m ² pendant au moins 3 min	14.2.5
6	Jet d’eau Figure 6 Buse de 12,5 mm de diamètre distance 2,5 m à 3 m	100 l/min ± 5 %	1 min/m ² pendant au moins 3 min	14.2.6
7	Réservoir d’eau Niveau de l’eau au-dessus de l’enveloppe 0,15 m au-dessus du sommet 1 m au-dessus du point le plus bas	–	30 min	14.2.7
8	Réservoir d’eau Niveau de l’eau: selon accord	–	selon accord	14.2.8
9	Buse à jet plat Figure 7 Essai d’une petite enveloppe sur un plateau tournant Figure 12 Vitesse du plateau tournant (5 ± 1) r/min Pulvérisation à 0°, 30°, 60°, 90° Ou Essai de grandes enveloppes selon l’utilisation prévue Pulvérisation de toutes les directions praticables Distance (175 ± 25) mm	(15 ± 1) l/min	30 s par position	14.2.9 a)
			1 min/m ² au moins 3 min	14.2.9 b)

14.2 Conditions d’essai

Les moyens et les principales conditions d’essais sont donnés dans le tableau 8.

L’article 6 donne les détails concernant la conformité aux degrés de protection – en particulier pour les deuxièmes chiffres caractéristiques 5/6/9 (jets d’eau) et 7/8 (immersion).

Les essais sont effectués à l'eau douce.

Pendant les essais d'IPX1 à IPX6, il convient que la différence entre la température de l'eau et celle du spécimen en essai n'excède pas 5 K. Si la température de l'eau est inférieure de plus de 5 K à la température du spécimen, un équilibre de pression dans l'enveloppe doit être prévu. Pour les essais d'IPX7 et d'IPX9, les détails sur la température de l'eau sont respectivement donnés en 14.2.7 et 14.2.9.

Au cours de l'essai, l'humidité contenue dans l'enveloppe peut condenser partiellement. La condensation qui peut donc se déposer ne doit pas être confondue avec une pénétration d'eau.

Pour les essais, la surface de l'enveloppe est calculée avec une tolérance de 10 %.

Il convient de prendre les précautions de sécurité convenables lorsque cet essai est effectué sur du matériel sous tension.

14.2.1 Essai pour le deuxième chiffre caractéristique 1 à l'aide de la boîte à gouttes

L'essai est effectué à l'aide d'un dispositif qui produit un débit de gouttes d'eau uniforme sur toute la surface de l'enveloppe.

Un exemple de tel dispositif est donné à la figure 3 a).

La table tournante sur laquelle l'enveloppe est posée doit avoir une vitesse de rotation de 1 tour par minute et l'excentricité (distance entre l'axe de la table tournante et l'axe du spécimen) est approximativement de 100 mm.

L'enveloppe essayée est montée dans sa position normale de fonctionnement au-dessous de la boîte à gouttes; le fond de celle-ci a une section supérieure à celle de l'enveloppe. Sauf dans le cas d'enveloppes destinées à être montées sur un mur ou au plafond, le support de l'enveloppe soumise à l'essai doit être plus petit que la base de l'enveloppe elle-même.

Une enveloppe normalement appelée à être fixée sur un mur ou au plafond est montée dans sa position normale d'utilisation sur une planche de bois de dimensions égales à celles de la surface de l'enveloppe en contact avec le mur ou le plafond lorsque l'enveloppe est montée dans sa position normale d'utilisation.

La durée de l'essai est de 10 min.

NOTE Lorsque la base de la boîte à gouttes est inférieure à celle de l'enveloppe essayée, cette dernière peut être divisée en plusieurs sections, chacune d'elles étant d'une dimension suffisante pour être recouverte par la boîte à gouttes. L'essai est poursuivi jusqu'à ce que l'ensemble de la surface de l'enveloppe ait été arrosé pendant le temps requis.

14.2.2 Essai pour le deuxième chiffre caractéristique 2 à l'aide de la boîte à gouttes

Le dispositif à gouttes est identique à celui qui est spécifié en 14.2.1 ajusté pour donner le débit d'eau spécifié au tableau 8.

La table sur laquelle l'enveloppe est posée ne tourne pas comme dans le cas de l'essai pour le deuxième chiffre caractéristique 1.

L'enveloppe est essayée pendant 2,5 min dans chacune des quatre positions inclinées.

Les positions font un angle de 15° de part et d'autre de la verticale dans deux plans orthogonaux (voir figure 3 b)).

La durée totale de l'essai est de 10 min.

14.2.3 Essai pour le deuxième chiffre caractéristique 3 avec le tube oscillant ou la pomme d'arrosoir

L'essai est effectué à l'aide d'un des deux dispositifs décrits à la figure 4 et à la figure 5 selon la norme particulière de produit,

a) Conditions d'utilisation du dispositif d'essai de la figure 4 (tube oscillant):

Le débit total est réglé comme spécifié dans le tableau 9. Le débit total doit être mesuré à l'aide d'un débitmètre.

Le tube oscillant verticale. Le support comporte des trous jusqu'à un angle de 60° de chaque côté de la verticale. Le support ne doit pas être perforé.

L'enveloppe essayée est placée au centre du demi-cercle. Le tube est soumis à une oscillation de 120°, 60° de part et d'autre de la verticale; la durée d'une oscillation complète ($2 \times 120^\circ$) doit être d'environ 4 s et la durée de l'essai de 5 min.

L'enveloppe est ensuite tournée d'un angle de 90° dans le plan horizontal et l'essai est prolongé pendant 5 min.

Le rayon maximal acceptable du tube oscillant est de 1 600 mm.

Si, pour certains types d'appareils, il n'est pas possible de mouiller toutes les parties de l'enveloppe en essai, le support de l'enveloppe peut être déplacé vers le haut ou vers le bas. Dans un tel cas, il convient d'utiliser de préférence le dispositif d'essai portatif décrit à la figure 5 (pomme d'arrosoir).

b) Conditions d'utilisation du dispositif d'essai de la figure 5 (pomme d'arrosoir):

Le masque à contrepoids est en place pour cet essai.

La pression d'eau est ajustée de façon à obtenir le débit spécifié. La pression produisant ce débit est de l'ordre de 50 kPa à 150 kPa. Il convient de la maintenir constante pendant l'essai.

La durée de l'essai est de 1 min/m² de surface calculée de l'enveloppe (non compris toute surface d'assise) avec une durée minimale de 5 min.

14.2.4 Essai pour le deuxième chiffre caractéristique 4 avec le tube oscillant ou la pomme d'arrosoir

L'essai est effectué à l'aide d'un des deux dispositifs décrits à la figure 4 et à la figure 5, selon la norme particulière de produit.

a) Conditions d'utilisation du dispositif d'essai de la figure 4 (tube oscillant):

Le tube oscillant comporte des trous sur tout le demi-cercle, soit 180°. Le débit d'eau est ajusté comme indiqué dans le tableau 9 et mesuré à l'aide d'un débitmètre.

Le tube est soumis à une oscillation de presque 360°, 180° de part et d'autre de la verticale, la durée d'une oscillation complète ($2 \times 360^\circ$) doit être d'environ 12 s.

La durée totale de l'essai est de 10 min.

Sauf spécification contraire indiquée dans la norme particulière de produit, le support de l'enveloppe essayée est perforé afin de ne pas constituer un écran pour l'eau, et l'enveloppe est arrosée dans toutes les directions en faisant osciller le tube jusqu'à la limite de sa course dans chaque direction.

b) Conditions d'utilisation du dispositif d'essai de la figure 5 (pomme d'arrosoir):

Le masque à contrepoids est retiré de la pomme d'arrosoir et l'enveloppe est arrosée de toutes les directions possibles.

Le débit d'eau et la durée d'arrosage par unité de surface sont comme spécifié en 14.2.3.

**Tableau 9 – Débit d'eau total q_v pour les conditions d'essai IPX3 et IPX4 –
Débit moyen par trou $q_{vI} = 0,07$ l/min**

Rayon du tube <i>R</i> mm	Degré IPX3		Degré IPX4	
	Nombre de trous débouchés <i>N</i> ¹⁾	Débit d'eau total q_v l/min	Nombre de trous débouchés <i>N</i> ¹⁾	Débit d'eau total q_v l/min
200	8	0,56	12	0,84
400	16	1,1	25	1,8
600	25	1,8	37	2,6
800	33	2,3	50	3,5
1 000	41	2,9	62	4,3
1 200	50	3,5	75	5,3
1 400	58	4,1	87	6,1
1 600	67	4,7	100	7,0

¹⁾ La disposition réelle des centres des trous à la distance spécifiée peut conduire à augmenter d'une unité le nombre de trous débouchés *N*.

14.2.5 Essai pour le deuxième chiffre caractéristique 5 avec la buse de 6,3 mm

L'essai est effectué en arrosant l'enveloppe de toutes les directions possibles avec un jet d'eau jaillissant d'une buse d'essai normalisée comme indiqué à la figure 6.

Les conditions à observer sont les suivantes:

- diamètre intérieur de la buse: 6,3 mm;
- débit: 12,5 l/min ± 5 %;
- pression de l'eau: à régler pour obtenir le débit prescrit;
- cœur du jet canon: cercle d'environ 40 mm de diamètre à 2,5 m de la buse;
- durée de l'essai par mètre carré de surface de l'enveloppe susceptible d'être arrosée: 1 min;
- durée minimale d'essai: 3 min;
- distance entre la buse et la surface de l'enveloppe: entre 2,5 m et 3 m.

14.2.6 Essai pour le deuxième chiffre caractéristique 6 avec la buse de 12,5 mm

L'essai est effectué en arrosant l'enveloppe de toutes les directions possibles avec un jet d'eau jaillissant d'une buse d'essai normalisée comme indiqué à la figure 6.

Les conditions à observer sont les suivantes:

- diamètre intérieur de la buse: 12,5 mm;
- débit: 100 l/min ± 5%;
- pression de l'eau: à régler pour obtenir le débit prescrit;
- cœur du jet canon: cercle d'environ 120 mm de diamètre à 2,5 m de la buse;
- durée de l'essai par mètre carré de surface de l'enveloppe susceptible d'être arrosée: 1 min;
- durée minimale d'essai: 3 min;
- distance entre la buse et la surface de l'enveloppe: entre 2,5 m et 3 m.

14.2.7 Essai pour le deuxième chiffre caractéristique 7: immersion temporaire entre 0,15 m et 1 m

L'essai est effectué en immergeant complètement l'enveloppe dans l'eau en position de service comme indiqué par le constructeur, de manière que les conditions suivantes soient observées:

- a) la partie la plus basse d'une enveloppe de hauteur inférieure à 850 mm est située à 1 000 mm au-dessous de la surface de l'eau;
- b) la partie la plus haute d'une enveloppe de hauteur supérieure ou égale à 850 mm est située à 150 mm au-dessous de la surface de l'eau;
- c) la durée de l'essai est de 30 min;
- d) la température de l'eau ne doit pas différer de celle du matériel de plus de 5 K. Cette prescription peut toutefois être modifiée dans la norme particulière de produit si les essais doivent être effectués sur du matériel sous tension et/ou avec ses parties en mouvement.

14.2.8 Essai pour le deuxième chiffre caractéristique 8: immersion prolongée soumise à accord

Sauf s'il existe une norme particulière de produit, les conditions d'essais font l'objet d'un accord entre constructeur et utilisateur; mais elles doivent être plus sévères que celles qui sont prescrites en 14.2.7 et elles doivent tenir compte du fait que l'enveloppe sera immergée en permanence, dans les conditions réelles d'utilisation.

14.2.9 Essai pour le deuxième chiffre caractéristique 9 immersion par jet d'eau haute pression et haute température

L'essai est effectué en pulvérisant sur l'enveloppe un jet d'eau avec buse d'essai normalisée comme représentée aux Figures 7, 8 et 9.

Le montage pour mesurer la force d'impact du jet d'eau est fourni dans la Figure 10.

La répartition de la force doit être vérifiée dans les limites de la zone supérieure et inférieure de la tolérance et sur la distance (voir la Figure 11).

Pendant l'essai a) ou b) de l'enveloppe, la température de l'eau doit être égale à $(80 \pm 5) ^\circ\text{C}$.

- a) Pour les petites enveloppes (dimension la plus longue inférieure à 250 mm), l'enveloppe doit être montée sur le dispositif d'essai représenté à la Figure 12.

- vitesse du plateau tournant: $5 \text{ r/min} \pm 1 \text{ r/min}$
- positions des pulvérisations 0° , 30° , 60° , 90°

La durée d'essai est de 30 s par position.

- b) Pour les grandes enveloppes (dimension la plus longue supérieure ou égale à 250 mm), l'enveloppe doit être montée selon l'utilisation prévue. La totalité de la surface exposée de l'enveloppe doit être soumise à la pulvérisation à partir certaines positions pendant la procédure d'essai.

- positions des pulvérisations: l'enveloppe doit être pulvérisée de toutes les directions praticables en recouvrant la totalité de la surface et la pulvérisation doit autant que possible être orientée perpendiculairement à la surface à pulvériser.
- la distance entre la buse et l'échantillon en essai doit être égale à $175 \pm 25 \text{ mm}$.

La durée de l'essai est égale à 1 min/m^2 de surface calculée de l'enveloppe (à l'exclusion de toute surface de montage), la durée minimale étant de 3 min.

14.3 Conditions d'acceptation

Après les essais conformément aux exigences du 14.2.1 au 14.2.9, l'enveloppe doit être examinée pour mettre en évidence une éventuelle pénétration de l'eau.

Il appartient au comité d'études concerné de spécifier la quantité d'eau acceptable à l'intérieur de l'enveloppe et de préciser les essais de tenue diélectrique s'il y a lieu.

En général, la quantité d'eau qui a pu s'introduire dans l'enveloppe ne doit pas:

- pouvoir nuire au bon fonctionnement du matériel ou altérer la sécurité;
- se déposer là où elle pourrait produire un cheminement le long des lignes de fuite;
- atteindre les parties sous tension ou les enroulements non prévus pour fonctionner à l'état mouillé;
- s'être accumulée à proximité des entrées de câbles ni avoir pénétré dans les câbles le cas échéant.

Si l'enveloppe comporte des orifices de vidange, il convient de vérifier, par inspection, que l'eau qui a pu pénétrer ne s'accumule pas et peut ressortir sans avoir eu d'effets nuisibles.

Pour les enveloppes ne comportant pas d'orifice de vidange, il appartient à la norme particulière de produit de spécifier les conditions d'acceptation d'accumulation d'eau jusqu'aux parties sous tension.

15 Essais pour la protection contre l'accès aux parties dangereuses indiquée par la lettre additionnelle

15.1 Calibres d'accessibilité

Les calibres d'accessibilité destinés à essayer la protection des personnes contre l'accès aux parties dangereuses sont donnés dans le tableau 6.

15.2 Conditions d'essai

Le calibre d'accessibilité est appliqué à toutes les ouvertures de l'enveloppe avec la force spécifiée au tableau 6. S'il pénètre partiellement ou totalement, il est placé dans toutes les directions possibles; mais en aucun cas la plaque d'arrêt ne doit pénétrer complètement par l'ouverture.

Les barrières internes sont considérées comme faisant partie de l'enveloppe tel que cela est défini en 3.1.

Pour les essais de matériel à basse tension, il convient qu'une source d'alimentation à basse tension (comprise entre 40 V et 50 V) en série avec une lampe appropriée soit raccordée entre le calibre et les parties dangereuses internes à l'enveloppe. Les parties actives dangereuses recouvertes seulement de vernis ou de peinture, ou protégées par oxydation ou procédé analogue, sont recouvertes d'une feuille métallique reliée électriquement aux parties qui sont normalement sous tension en service.

La méthode du circuit de signalisation convient aussi pour les parties dangereuses en mouvement d'un matériel à haute tension.

Il est permis de manœuvrer lentement les parties mobiles internes lorsque cela est possible.

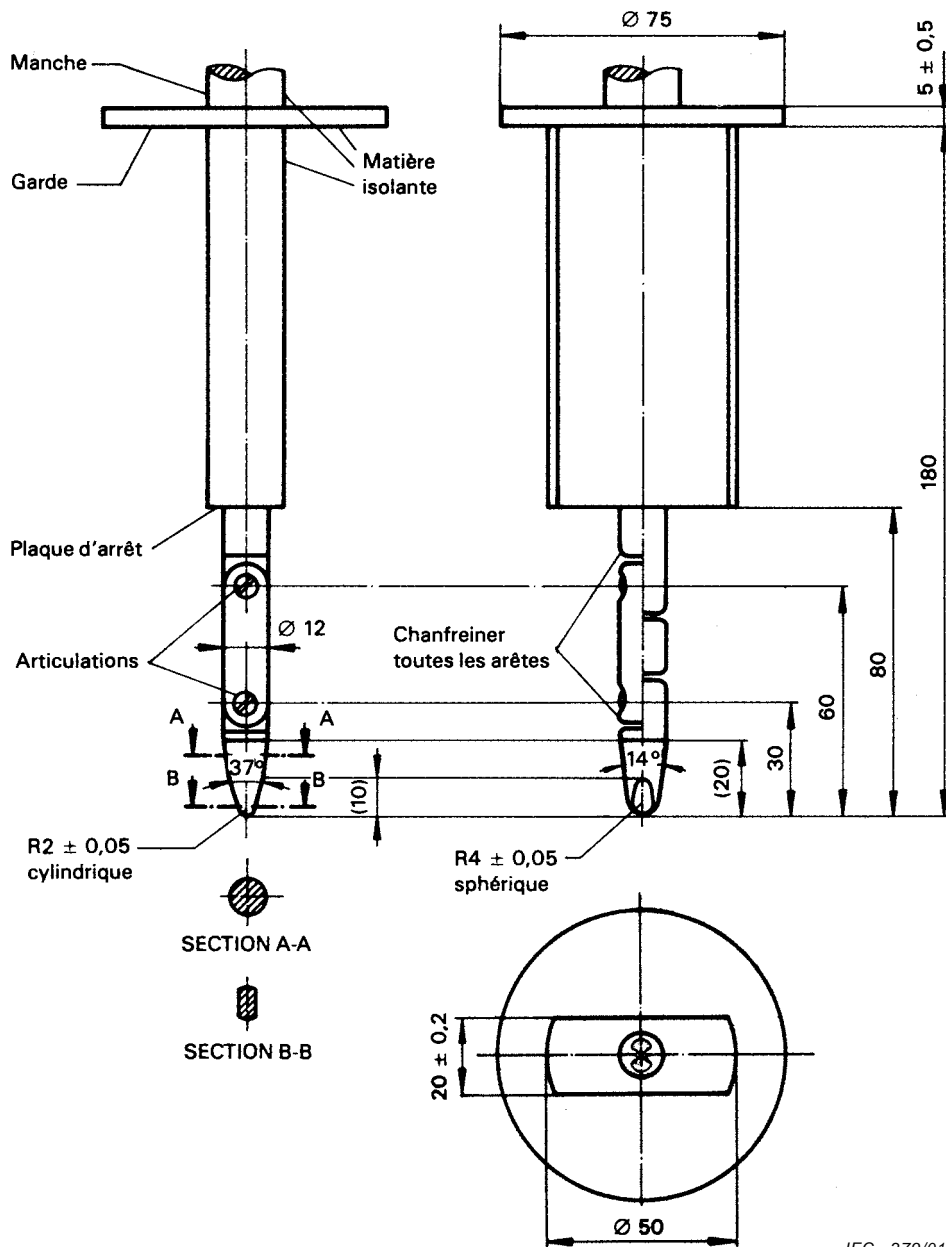
15.3 Conditions d'acceptation

La protection est satisfaisante si une distance suffisante est gardée entre le calibre d'accessibilité et les parties dangereuses.

Dans le cas de l'essai pour la lettre additionnelle B, le doigt d'épreuve articulé peut pénétrer jusqu'à sa longueur de 80 mm, mais la plaque d'arrêt (\varnothing 50 mm \times 20 mm) ne doit pas passer à travers l'ouverture. A partir de la position complètement droite, chaque articulation du doigt d'épreuve doit être successivement pliée jusqu'à faire un angle de 90° avec l'axe de la partie adjacente du doigt et doit être mise dans toutes les positions possibles.

Dans le cas des essais pour les lettres additionnelles C et D, le calibre d'accessibilité peut pénétrer de toute sa longueur mais la plaque d'arrêt ne doit pas complètement pénétrer à travers l'ouverture. Voir l'annexe A pour plus d'explications.

Les conditions de vérification de la distance suffisante sont identiques à celles qui sont données en 12.3.1, 12.3.2 et 12.3.3.



IEC 279/01

Matériel: métal, sauf spécification contraire

Dimensions linéaires en millimètres

Tolérances des dimensions sans indication de tolérance:

sur les angles: 0/-10°

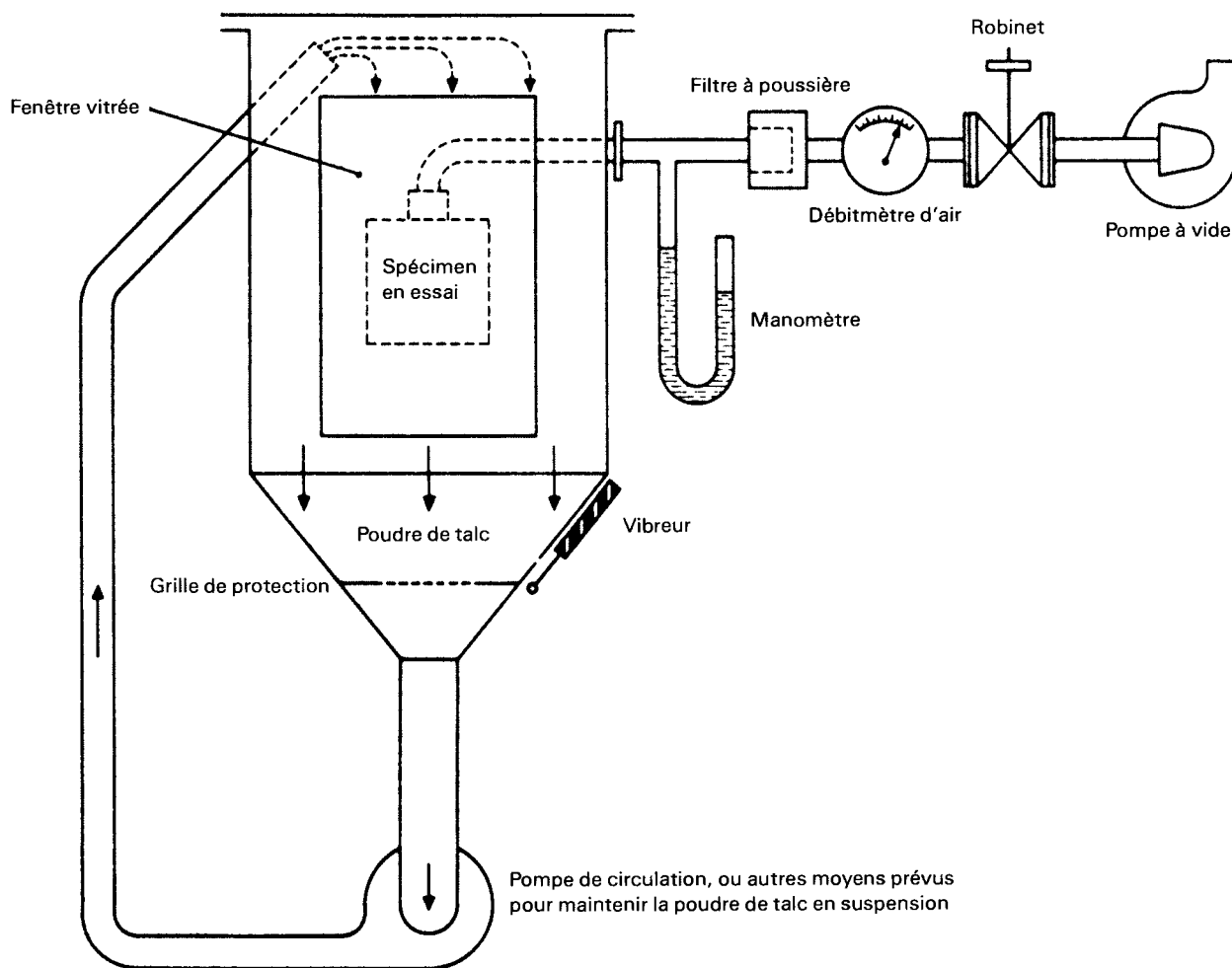
sur les dimensions linéaires:

jusqu'à 25 mm: 0/-0,05

au-dessus de 25 mm: ±0,2

Les deux articulations doivent permettre un mouvement dans le même plan et le même sens de 90° avec une tolérance de 0 à +10°.

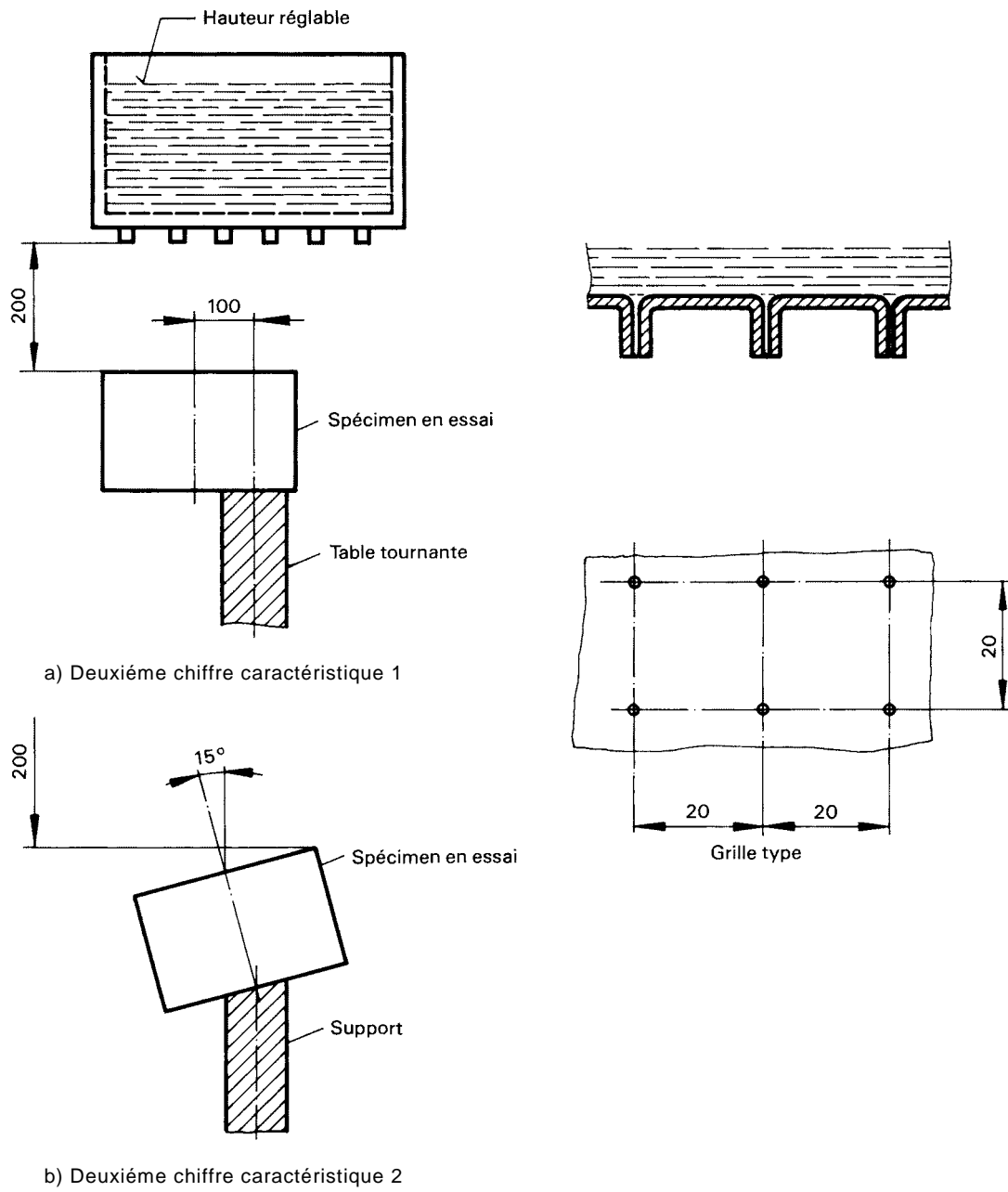
Figure 1 – Doigt d'épreuve articulé



IEC 280/01

NOTE Voir la CEI 60068-2-68, figure 2 valable pour La2 seulement.

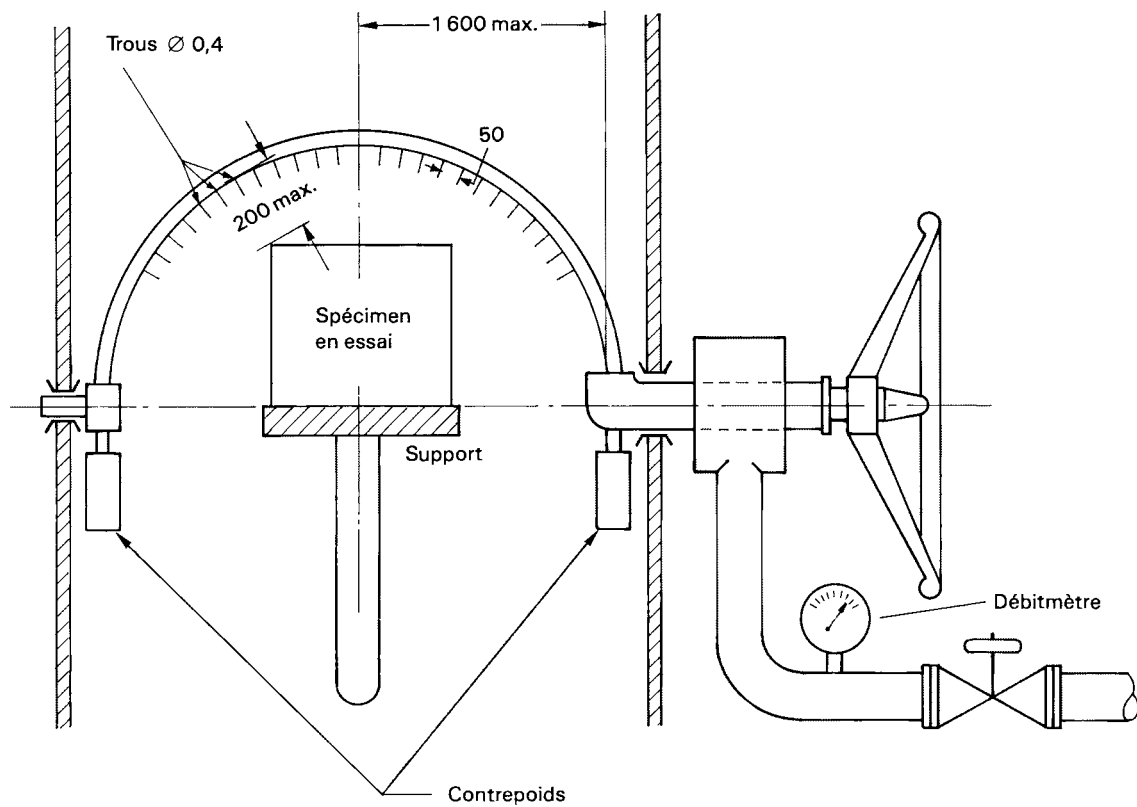
Figure 2 – Appareil pour la vérification de la protection contre la poussière (chambre à poussière)



IEC 281/01

Dimensions en millimètres

Figure 3 – Appareil pour la vérification de la protection contre les gouttes d'eau tombant verticalement (boîte à gouttes).

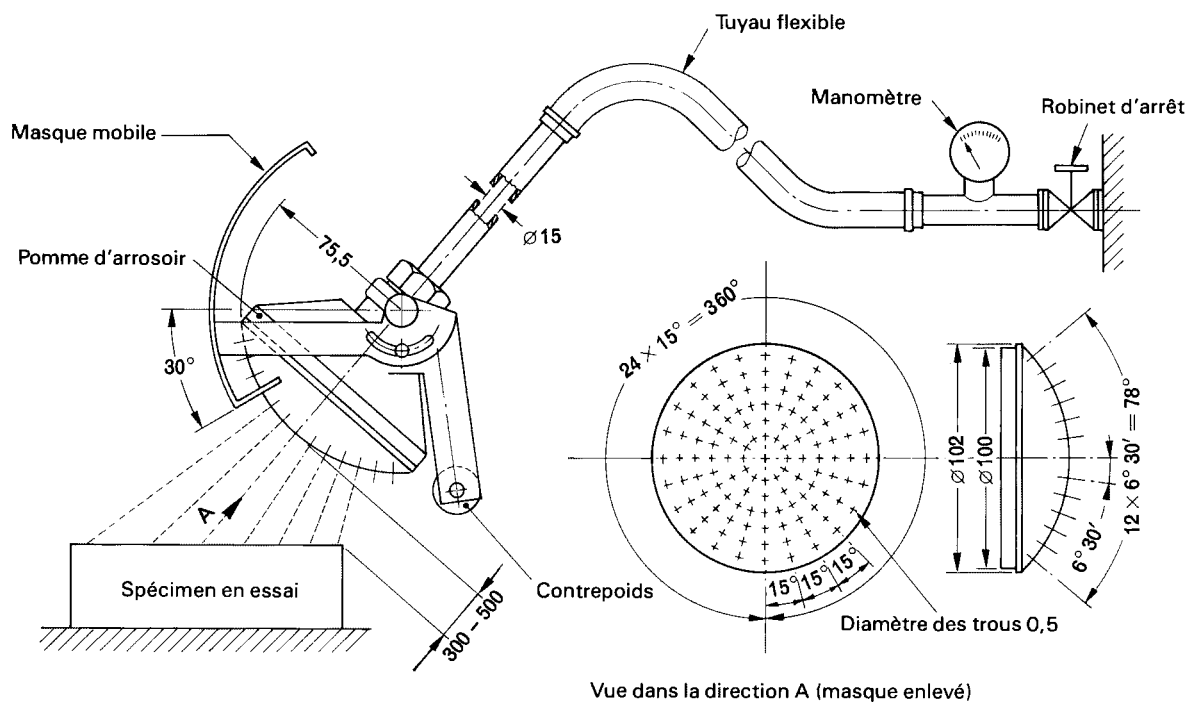


IEC 282/01

Dimensions en millimètres

NOTE La répartition des trous est représentée comme pour le deuxième chiffre caractéristique 3 (voir 14.2.3 a)).

Figure 4 – Appareil pour la vérification de la protection contre l'eau tombant en pluie et contre les projections d'eau: deuxième chiffre caractéristique 3 et 4 (tube oscillant)

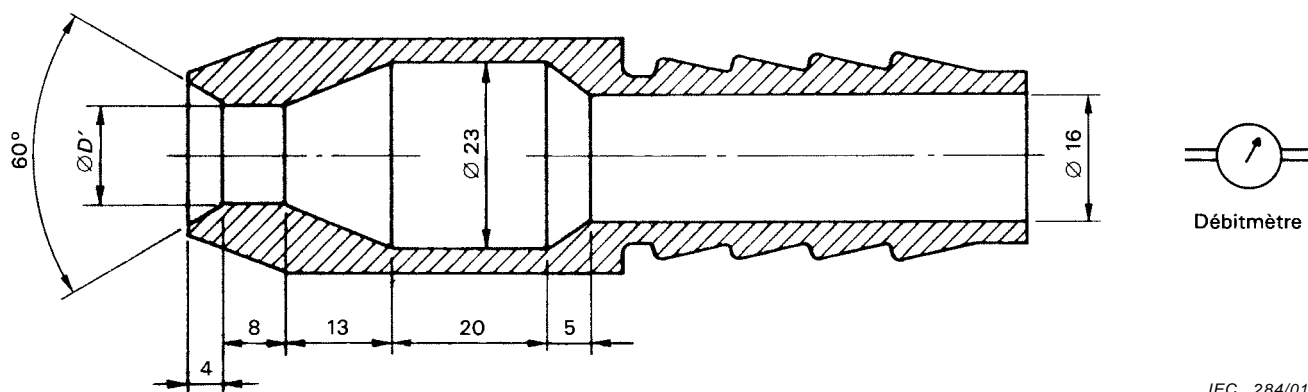


Dimensions en millimètres

- 121 trous de 0,5 de diamètre;
- 1 trou au centre
- 2 cercles intérieurs de 12 trous à 30°
- 4 cercles extérieurs de 24 trous à 15°

Masque – Aluminium
Pomme d'arrosoir – Laiton

Figure 5 – Appareil portable pour la vérification de la protection contre l'eau tombant en pluie et contre les projections d'eau; deuxième chiffre caractéristique 3 et 4 (pomme d'arrosoir)

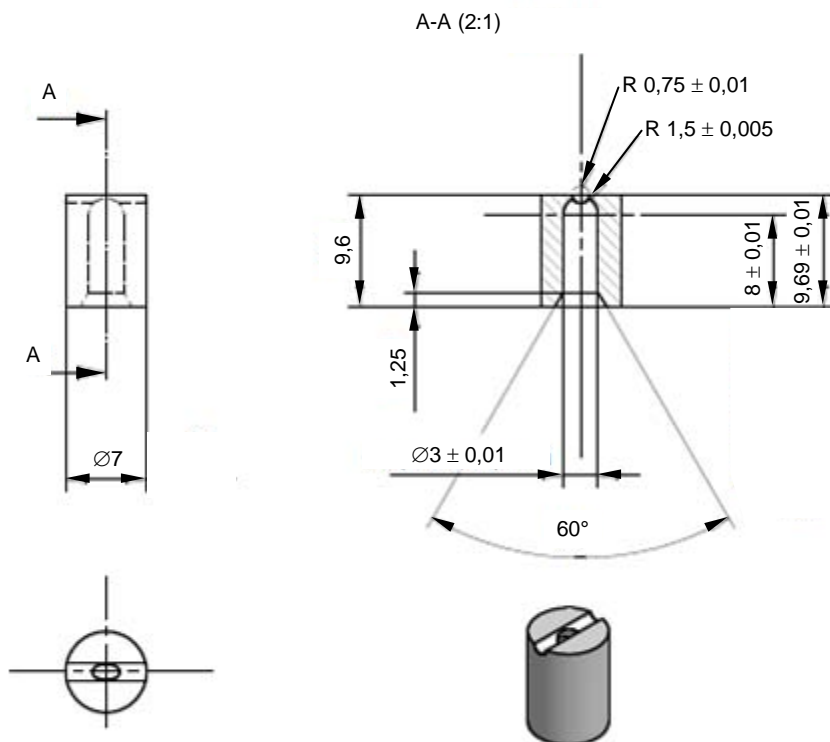


Dimensions en millimètres

- D' = 6,3 pour l'essai de 14.2.5 (deuxième chiffre caractéristique 5)
- D' = 12,5 pour l'essai de 14.2.6 (deuxième chiffre caractéristique 6)

Figure 6 – Appareil pour la vérification de la protection contre les jets d'eau (buse)

Dimensions en millimètres

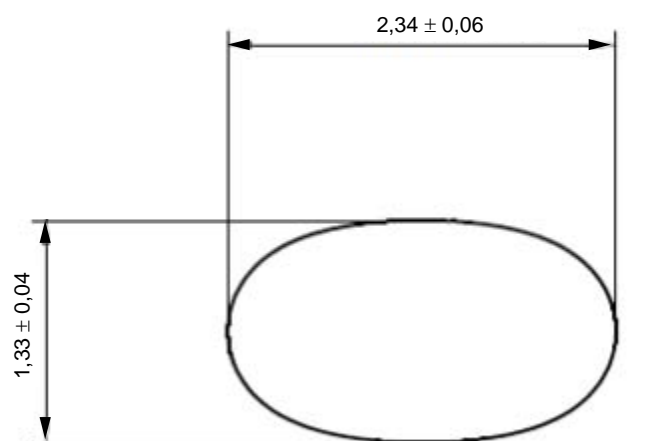


IEC 1937/13

NOTE La dimension $9,69 \pm 0,01$ fait référence au centre du rayon $R0,75 \pm 0,01$.

Figure 7 – Dimensions de la buse à jet plat

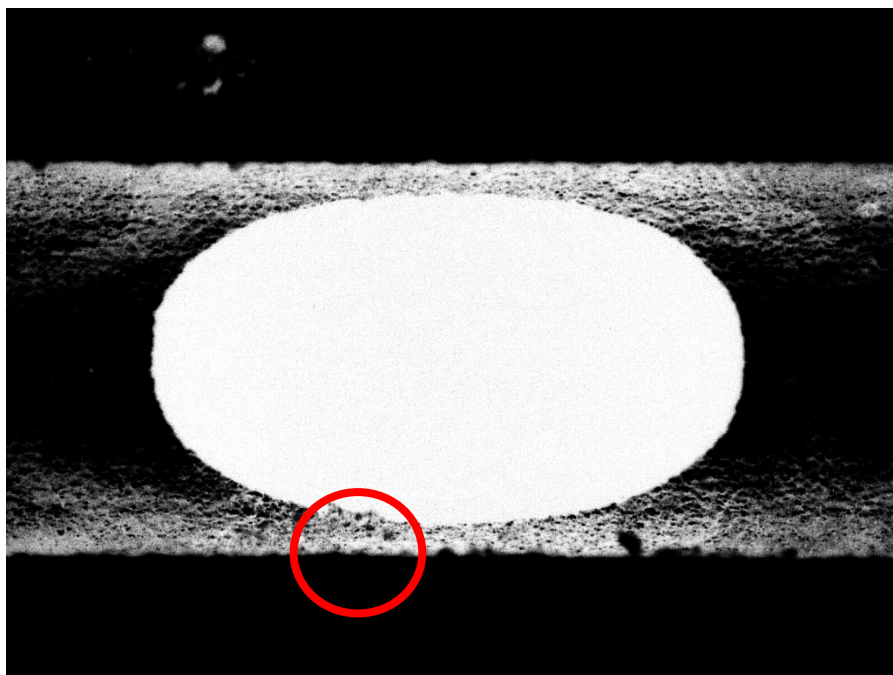
Dimensions en millimètres



IEC 1938/13

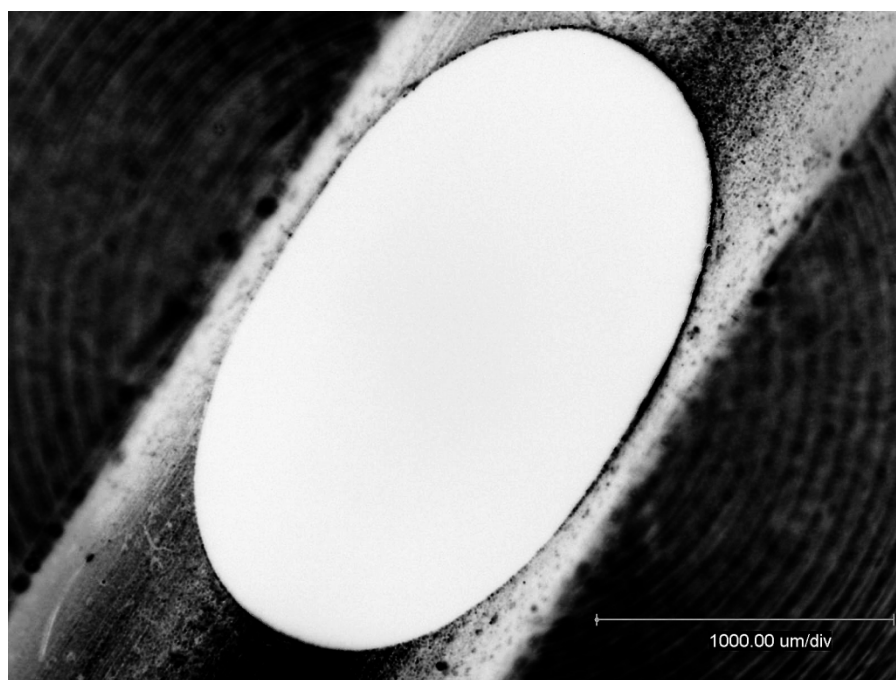
NOTE Lors d'un grossissement de 100 fois du bord de la buse, il convient que celui-ci présente un profil régulier (voir par exemple la Figure 9).

Figure 8 – Dimensions résultantes du trou de pulvérisation de la buse à jet plat à des fins de vérification



Surface de finition
incorrecte

IEC 1939/13

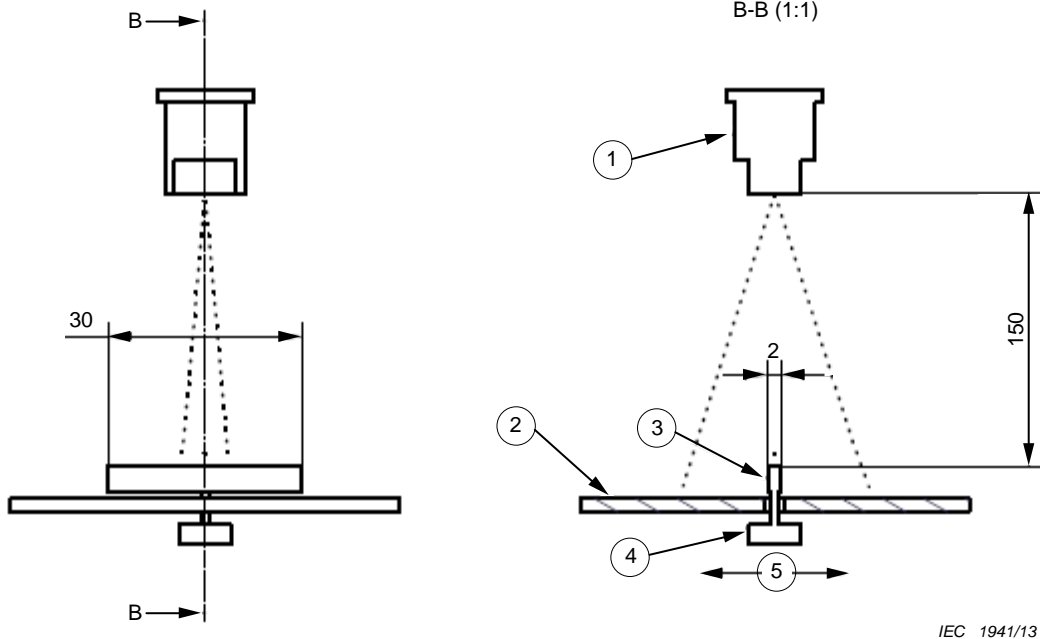


Surface de finition
correcte

IEC 1940/13

Figure 9 – Exemple de différentes qualités obtenues pour la finition de la surface de la buse à jet plat

Dimensions en millimètres

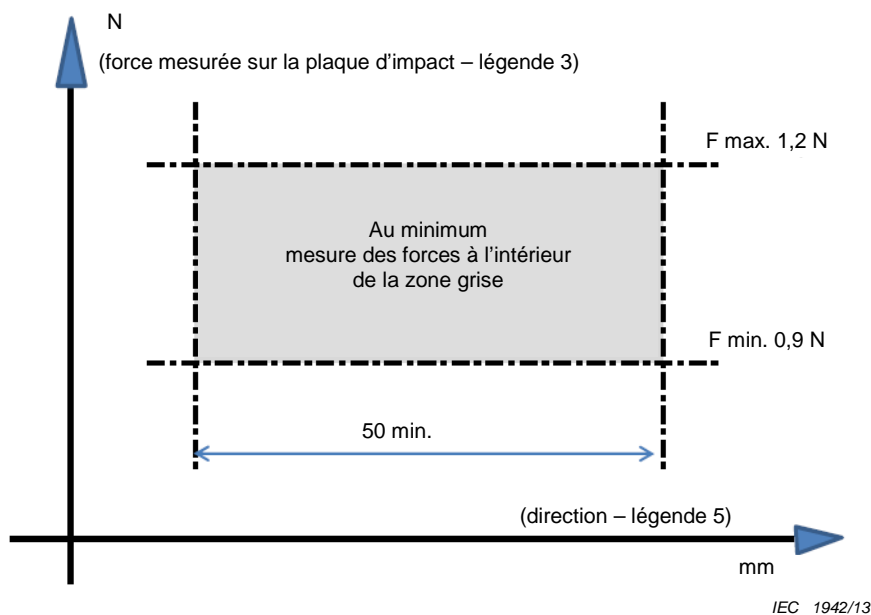


IEC 1941/13

Légende

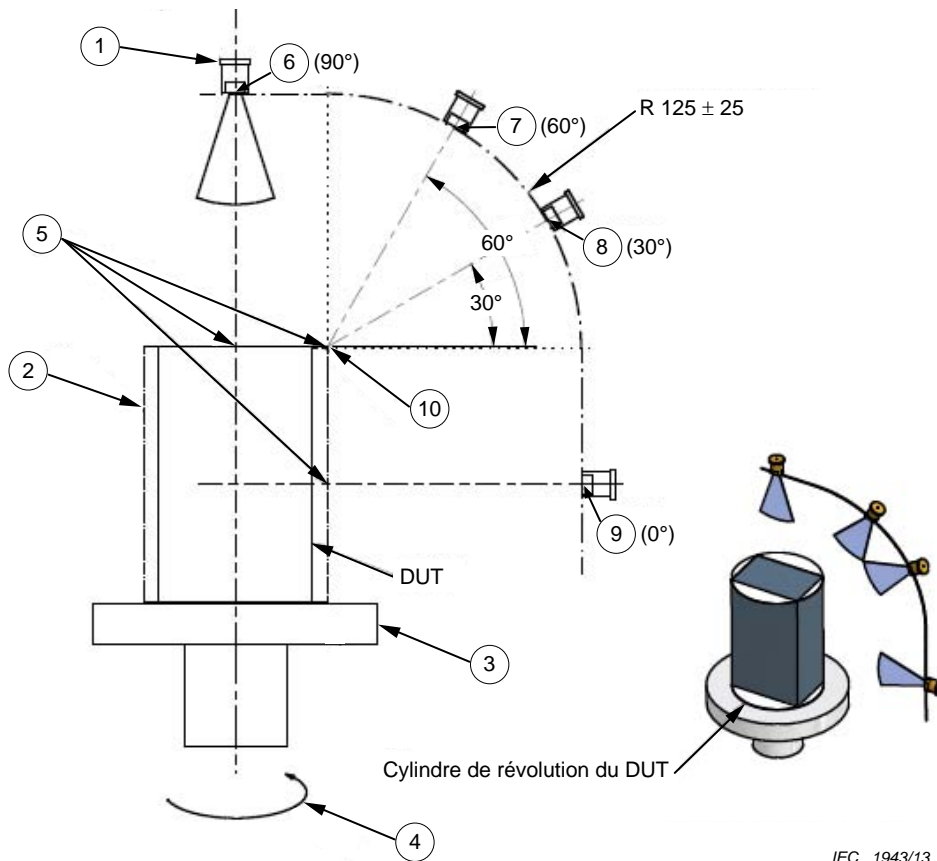
- 1 buse à jet plat:
réglage du débit à (15 ± 1) l/min pour atteindre une répartition des forces d'impact de 0,9 – 1,2 N.
Température de l'eau pendant la vérification (20 ± 5) °C.
- 2 plaque de recouvrement
- 3 plaque d'impact 2 mm × 30 mm
- 4 capteur de force
- 5 directions de la répartition des forces (voir également la Figure 11)

Figure 10 – Montage pour mesurer la force d'impact du jet d'eau en vue de déterminer la protection contre le jet d'eau haute pression et haute température, degré de protection contre la pénétration d'eau IP X9



IEC 1942/13

Figure 11 – Répartition de la force d'impact



IEC 1943/13

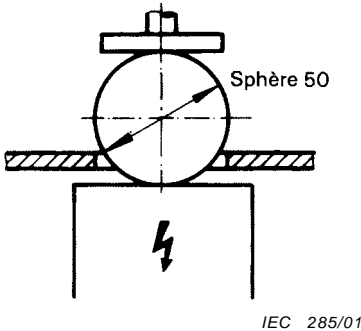
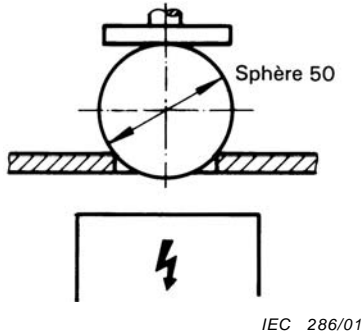
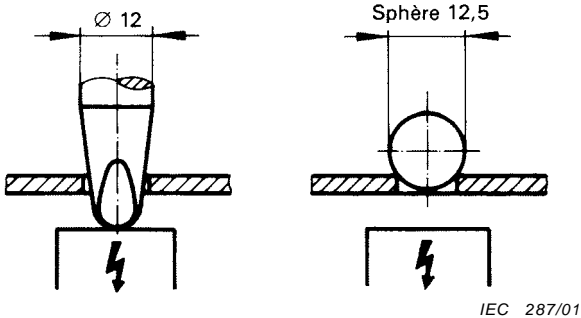
Légende

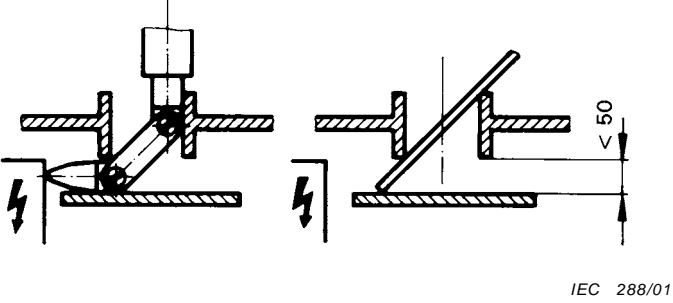
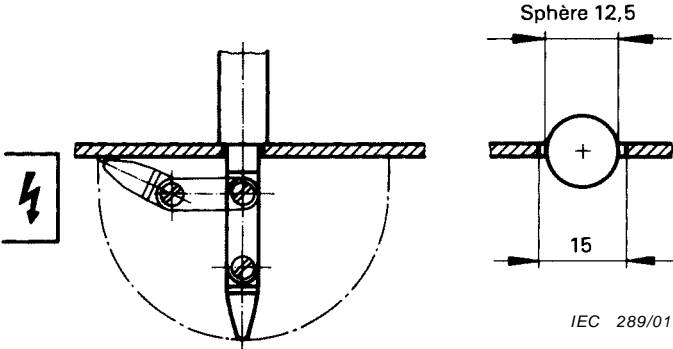
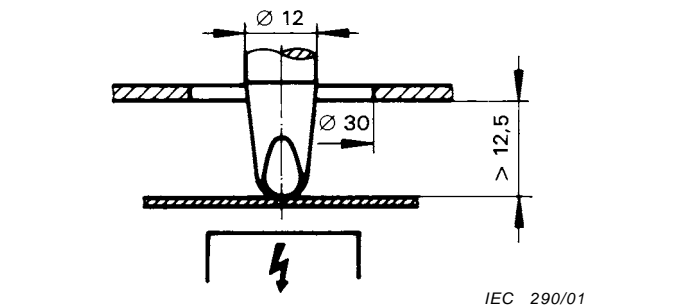
- | | | | |
|---|---|----|---|
| 1 | buse à jet plat | 6 | position 1 de la buse (90°) |
| 2 | cylindre de révolution du DUT (objet à tester) | 7 | position 2 de la buse (60°) |
| 3 | support (table rotative) | 8 | position 3 de la buse (30°) |
| 4 | axe de pivotement (axe de rotation) | 9 | position 4 de la buse (0°) |
| 5 | point de référence pour 0°, pour 30° et 60°, puis pour 90° par rapport au cylindre de révolution du DUT | 10 | centre du cercle R125 mm pour la localisation des buses |

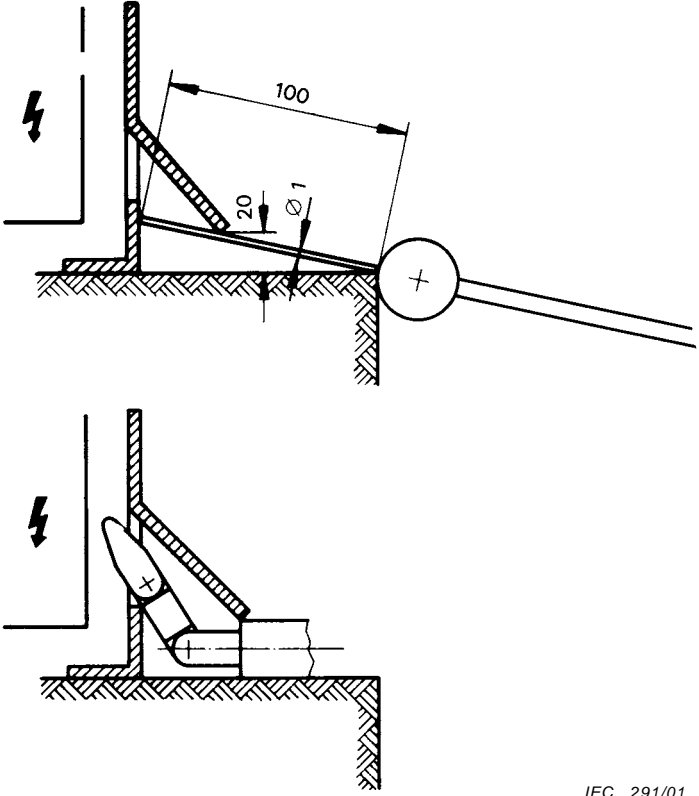
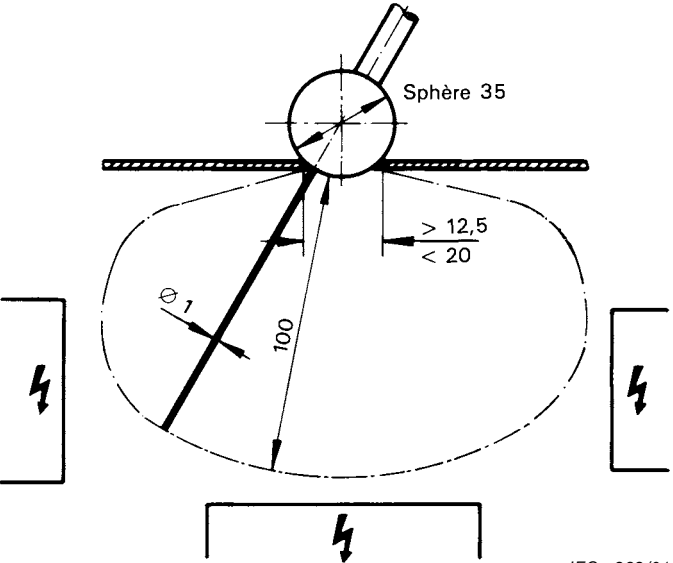
Figure 12 – Montage pour l’essai en vue de la détermination de la protection contre les effets du nettoyage haute pression/haute température; degré de protection contre la pénétration d’eau IP X9 concernant les petites enveloppes

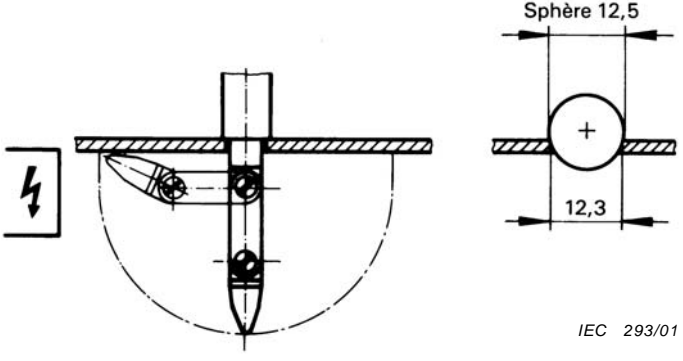
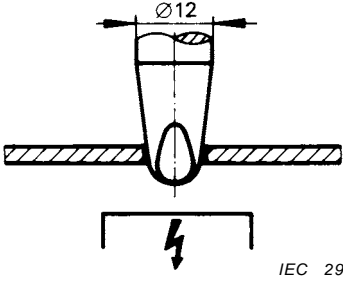
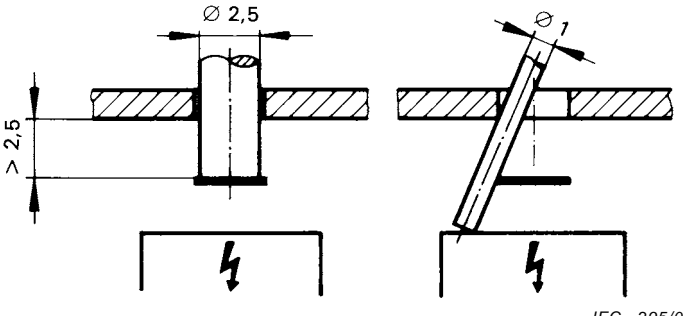
Annexe A
(informative)

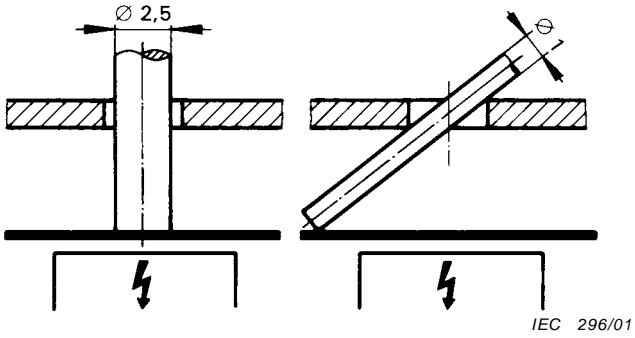
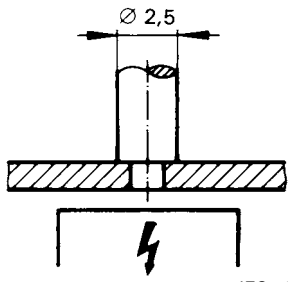
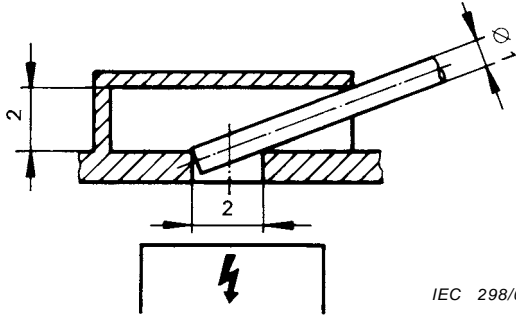
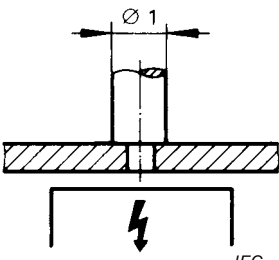
Exemples de codification IP pour la vérification de la protection de matériel à basse tension contre l'accès aux parties dangereuses

Réf.	Situation	Deux chiffres	Lettre additionnelle	Deux chiffres + lettre additionnelle
1	 <p style="text-align: right;"><i>IEC 285/01</i></p>	0X	–	0X
2	 <p style="text-align: right;"><i>IEC 286/01</i></p>	1X	A	1X
3	 <p style="text-align: right;"><i>IEC 287/01</i></p>	1X	A	1X

Réf.	Situation	Deux chiffres	Lettre additionnelle	Deux chiffres + lettre additionnelle
4	 <p style="text-align: right;"><i>IEC 288/01</i></p>	1X	A	1X
5	 <p style="text-align: right;"><i>IEC 289/01</i></p>	1X	B	1XB
6	 <p style="text-align: right;"><i>IEC 290/01</i></p>	1X	B	1XB

Réf.	Situation	Deux chiffres	Lettre additionnelle	Deux chiffres + lettre additionnelle
7	 <p style="text-align: right;"><i>IEC 291/01</i></p>	1X	D	1XD
8	 <p style="text-align: right;"><i>IEC 292/01</i></p>	1X	D	1XD

Réf.	Situation	Deux chiffres	Lettre additionnelle	Deux chiffres + lettre additionnelle
9	 <p style="text-align: right;"><i>IEC 293/01</i></p>	2X	B	2X
10	 <p style="text-align: right;"><i>IEC 294/01</i></p>	2X	B	2X
11	 <p style="text-align: right;"><i>IEC 295/01</i></p>	2X	C	2XC

Réf.	Situation	Deux chiffres	Lettre additionnelle	Deux chiffres + lettre additionnelle
12	 <p style="text-align: right;"><i>IEC 296/01</i></p>	2X	D	2XD
13	 <p style="text-align: right;"><i>IEC 297/01</i></p>	3X	C	3X
14	 <p style="text-align: right;"><i>IEC 298/01</i></p>	3X	D	3XD
15	 <p style="text-align: right;"><i>IEC 299/01</i></p>	4X	D	4X

Codes IP des exemples de l'annexe A

Premier chiffre caractéristique	Lettre additionnelle				
	–	A	B	C	D
0	IP0X (1)	–	–	–	–
1	–	IP1X (2, 3, 4)	IP1XB (5, 6)	–	IP1XD (7, 8)
2	–	–	IP2X (9, 10)	IP2XC (11)	IP2XD (12)
3	–	–	–	IP3X (13)	IP3XD (14)
4	–	–	–	–	IP4X (15)

NOTE Les nombres entre parenthèses sont les références de cette annexe.

Annexe B (informative)

Récapitulation des responsabilités des comités d'études concernés

Le Code IP pour la classification des degrés de protection procurés par les enveloppes est destiné à être utilisé pour la plupart des types de matériel électrique.

Il convient de ne pas présumer que la présente norme est appropriée pour couvrir tous les détails spécifiques des divers types de matériel.

Il est de la responsabilité des comités d'études concernés de spécifier dans leurs normes de produit tous les détails concernant l'application du Code IP à un type particulier de matériel.

Le marquage avec le Code IP indique la conformité à toutes les prescriptions applicables de la présente norme et également à toute prescription complémentaire spécifiée dans la norme particulière de produit.

La liste suivante est donnée à titre de guide pour les détails qui doivent être spécifiés dans les normes de produit:

- 1) limites et mode d'emploi pour l'utilisation du Code IP (voir article 4);
- 2) définition de l'«enveloppe» telle qu'elle s'applique à un type particulier de matériel (voir article 2);
- 3) la protection conjuguée de l'enveloppe et du matériel à l'intérieur de l'enveloppe contre les influences ou conditions externes (voir article 2);
- 4) degré de protection appliqué aux parties dangereuses en mouvement (telles que les ventilateurs) externes à l'enveloppe (voir article 2);
- 5) la plage d'application si les enveloppes sont exposées à une immersion temporaire ou prolongée (voir article 6);
- 6) l'application de «lettres additionnelles» pour la protection contre l'accès aux parties dangereuses par des barrières ou distances internes si nécessaire (voir article 7);
- 7) information supplémentaire éventuelle à donner sous forme de «lettres supplémentaires» (voir article 8);
- 8) le Secrétariat du CE 70 doit être consulté avant l'introduction de toute nouvelle lettre supplémentaire et la procédure d'essai à ajouter doit être indiquée (voir article 8);
- 9) les détails pour le marquage (voir article 10);
- 10) conditions atmosphériques pour les essais si elles diffèrent de celles de 11.1;
- 11) état et condition des échantillons d'essai s'ils diffèrent des «Prescriptions générales d'essais» (voir 11.2);
- 12) les détails des conditions d'essai (voir 11.2) tels que:
 - nombre d'échantillons
 - montage, assemblage, position
 - préconditionnement
 - sous tension ou non
 - avec des parties en mouvement ou non;
- 13) application des prescriptions générales d'essai et conditions d'acceptation pour les trous de vidange et les ouvertures de ventilation (voir 11.3);
- 14) des directives pour l'interprétation des résultats d'essai et pour les conditions d'acceptation (voir 11.3);
- 15) la tension locale, si applicable (voir 12.3.1 et 12.3.2);

- 16) la catégorie de l'enveloppe (en indiquant si une différence de pression due aux effets de cycles thermiques existe ou non) (voir 13.4);
- 17) l'emplacement du trou d'aspiration pour l'essai à la poussière s'il n'est pas à proximité de parties vulnérables (voir 13.4);
- 18) la quantité et l'emplacement des dépôts de poussière admissibles sans affecter le fonctionnement sûr (voir 13.5.2);
- 19) le dispositif d'essai pour les essais IPX3 et IPX4 (tube oscillant ou pomme d'arrosoir) (voir 14.2.3 et 14.2.4);
- 20) le type de support pour l'enveloppe (s'il n'est pas perforé) pendant l'essai IPX4 (voir 14.2.4);
- 21) la température de l'eau si le matériel est sous tension ou en fonctionnement lors de l'essai d'immersion (voir 14.2.7 d));
- 22) les conditions de l'essai d'immersion prolongée (voir 14.2.8);
- 23) les conditions d'acceptation à la suite des essais à l'eau (en particulier la quantité d'eau qui peut pénétrer et les détails de tout essai de rigidité diélectrique) (voir 14.3);
- 24) les conditions d'acceptation si l'eau peut s'accumuler et atteindre les parties actives (voir 14.3).
- 25) la température de l'eau pour l'essai IPX9 si distincte de 80 °C.

Bibliographie

CEI 61032, *Protection des personnes et des matériels par les enveloppes – Calibres d'essai pour la vérification*

CEI 61140, *Protection contre les chocs électriques – Aspects communs pour les installations et les matériels*

INTERNATIONAL
ELECTROTECHNICAL
COMMISSION

3, rue de Varembé
PO Box 131
CH-1211 Geneva 20
Switzerland

Tel: + 41 22 919 02 11
Fax: + 41 22 919 03 00
info@iec.ch
www.iec.ch